



SUZUKI
PARTS CATALOGUE

DL1000

(BS111/BS121)

DL1000K2

DL1000K3

DL1000K4

2003-12

5TH EDITION

This part catalogue supersedes all the following part catalogue with immediate effect.

Model of catalogue	Part catalogue No.
DL1000 (K2/K3)	9900B-30146-011

**INFORMATION
ILLUSTRATION INDEX**

1

**ENGINE
TRANSMISSION**

2

ELECTRICAL

3

BODY

4

PARTS NUMBER INDEX

5

1 INFORMATION INDEX

DL1000K2

2 ENGINE TRANSMISSION

3 ELECTRICAL



THE PART LIST FOR THE DL1000K3 IS LISTED ON PAGE 100.

DL1000K3

DL1000K3	DL1000K3
DL1000K3	DL1000K3
DL1000K3	DL1000K3
DL1000K3	DL1000K3



DL1000K4



PREFACE

When it becomes necessary to replace parts on SUZUKI MOTORCYCLES, always use SUZUKI GENUINE PARTS which have passed a strict inspection which guarantees quality and performance.

This parts catalogue covers the list of all service parts for SUZUKI DL1000K2, DL1000K3, DL1000K4.

INSTRUCTIONS FOR QUOTING THE CATALOGUE

1. DIMENSIONS

Dimensions of the parts in this catalogue are indicated in unit millimeters.

2. ABBREVIATIONS

Abbreviations used in this catalogue are as follows:

AR	: As required	NT	: Number of teeth
ASSY	: Assembly	OPT	: Optional
E.No.	: Engine number	OS	: Over size
F.No.	: Frame number	STD	: Standard
D	: Diameter of material	T	: Thickness
ID	: Inside diameter	US	: Under size
OD	: Outside diameter	W	: Width
L	: Length		
LH	: Left hand side		
RH	: Right hand side		
~100045	: Up to F.No.100045		
100046~	: From F.No.100046		

12 x 34 x 5.6 Figures in the description column show the dimensions of parts.

ID OD T(or W, L)

3. INNER PARTS OF ASSEMBLY

Part name with a dot (·) in front as shown in the description column indicates the component of the assembly also available individually.

4. MODIFICATION NOTICE

A parts bulletin will be sent to you on all occasions when changes in parts occur, including interchangeable modifications between new parts and old ones.

5. NOTE

- 5-1. There are some different parts from those of production models among spare parts for the administrative reasons and common use of them with other models.
- 5-2. In respect of rubber hoses and vinyl tubes, please be sure to use them by cutting off according to the length mentioned on parts catalogue or what is actually required on the vehicle.
- 5-3. Note that the drawings on the illustration page are for ready reference of spare parts number, not to be used as an assembly manual.
When assembling, use "SUZUKI SERVICE MANUAL".

6. SPECIFICATION CODE

This catalogue contains the parts for the model designed for the following spec.:

spec. code: DL1000K2 : E2,E19,E24,P37.
DL1000K3 : E2,E19,E24,P37.
DL1000K4 : E2,E19,E24.

7. SERIAL FRAME NUMBER

DL1000K2(E2) : JS1BS111200100001~
DL1000K2(E19) : JS1BS11100100001~
DL1000K2(E24) : JS1BS121300100001~
DL1000K3(E2) : JS1BS111200100598~
DL1000K3(E19) : JS1BS11100108795~
DL1000K3(E24) : JS1BS121300100132~
DL1000K4(E2) : JS1BS111200100766~
DL1000K4(E19) : JS1BS11100112373~
DL1000K4(E24) : JS1BS121300100213~

PREFACE

When it becomes necessary to replace parts on SUZUKI MOTORCYCLES, always use SUZUKI GENUINE PARTS which have passed a strict inspection which guarantees quality and performance.

This parts catalogue covers the list of all service parts for SUZUKI DL1000K2, DL1000K3, DL1000K4.

INSTRUCTIONS FOR QUOTING THE CATALOGUE

1. DIMENSIONS

Dimensions of the parts in this catalogue are indicated in unit millimeters.

2. ABBREVIATIONS

Abbreviations used in this catalogue are as follows:

AR	: As required	NT	: Number of teeth
ASSY	: Assembly	OPT	: Optional
E No.	: Engine number	OS	: Over size
F.No.	: Frame number	STD	: Standard
D	: Diameter of material	T	: Thickness
ID	: Inside diameter	US	: Under size
OD	: Outside diameter	W	: Width
L	: Length		
LH	: Left hand side		
RH	: Right hand side		
~100045	: Up to F.No.100045		
100046~	: From F.No.100046		

12 x 34 x 5.6 Figures in the description column show the dimensions of parts.

ID OD T(or W, L)

3. INNER PARTS OF ASSEMBLY

Part number with a dot (.) in front as shown in the description column indicates the component of the assembly also available individually.

4. MODIFICATION NOTICE

A parts bulletin will be sent to you on all occasions when changes in parts occur, including interchangeable modifications between new parts and old ones.

5. NOTE

- 5-1. There are some different parts from those of production models among spare parts for the administrative reasons and common use of them with other models.
- 5-2. In respect of rubber hoses and vinyl tubes, please be sure to use them by cutting off according to the length mentioned on parts catalogue or what is actually required on the vehicle.
- 5-3. Note that the drawings on the illustration page are for ready reference of spare parts number, not to be used as an assembly manual.
When assembling, use "SUZUKI SERVICE MANUAL".

6. SPECIFICATION CODE

This catalogue contains the parts for the model designed for the following spec.:
spec. code: DL1000K2 : E2,E19,E24,P37.
DL1000K3 : E2,E19,E24,P37.
DL1000K4 : E2,E19,E24.

7. SERIAL FRAME NUMBER

DL1000K2(E2) : JS1BS111200100001~
DL1000K2(E19) : JS1BS111100100001~
DL1000K2(E24) : JS1BS121300100001~
DL1000K3(E2) : JS1BS111200100598~
DL1000K3(E19) : JS1BS111100108795~
DL1000K3(E24) : JS1BS121300100132~
DL1000K4(E2) : JS1BS111200100766~
DL1000K4(E19) : JS1BS111100112373~
DL1000K4(E24) : JS1BS121300100213~

COLOR CHART
TABLEAU DES COULEURS

COLOR NO. NO DE COULEUR	COLOR DESCRIPTION DESCRIPTION DE COULEUR	COLOR NO. NO DE COULEUR	COLOR DESCRIPTION DESCRIPTION DE COULEUR
ABF	0AT,YBA	YAG	MAT WARM SILVER METALLIC
ACV	0AT,YAY	YAY	PEARL NEBULAR BLACK
AML	20H,YAY	YBA	SUZUKI DEEP BLUE NO.2
AMR	20H,24K,YAY	YCG	MAT FLINT GRAY METALLIC
AMT	1ZZ,20G,YDB	YDB	SONIC SILVER METALLIC
AMV	1ZZ,YBA	YGP	HIAR LINE CHROME BLACK NO.3
AMW	1ZZ,20G,YBA	YU8	FLINT GRAY METALLIC
ASL	YGP,YDB	YU9	PEARL ORPIMENT YELLOW
CT5	YDB,019	YZ5	GRAY METALLIC
HT8	20G,YDB	Y7H	DARK SPACE BLUE
HW5	YZ5,YAG	Y7L	SATURN BLACK METALLIC
H1N	T15,P21	ZJX	PEARL ORPIMENT YELLOW
JL8	17U,1ZY,Y7H	0AT	SILVER
JL9	1ZY,YDB,YU8	019	BLACK
JM1	1ZY,17U,YU9	1ZY	URBAN LIGHT GRAY METALLIC
LP7	YZ5,YCG	1ZZ	URBAN MIDIAM GRAY METALLIC
LY4	Y7H,YU8,YDB	13L	BRIGHT SILVER METALLIC
LY5	Y7H,17U,YU9	17U	GRAY METALLIC
LY6	YDB,1ZY,YBA	20G	CHARCOAL GRAY METALLIC
P21	BLACK (LEATHER)	20H	WARM SILVER METALLIC
T15	BLACK (LEATHER)	24K	LIGHT CHARCOAL METALLIC
W69	BLACK (LEATHER)	291	BLACK (SEMI-GLOSS)

COLOR NO. NO DE COULEUR	COLOR DESCRIPTION DESCRIPTION DE COULEUR	COLOR NO. NO DE COULEUR	COLOR DESCRIPTION DESCRIPTION DE COULEUR
33J	PEARL NOVELTY BLACK		
5PK	BLACK		

MILLIMETER → INCH CONVERSION CHART

	0	1	2	3	4	5	6	7	8	9
00	.000	.039	.079	.118	.157	.197	.236	.276	.315	.354
10	.394	.433	.472	.512	.551	.591	.630	.669	.709	.748
20	.787	.827	.866	.906	.945	.984	1.024	1.063	1.102	1.142
30	1.181	1.220	1.260	1.299	1.339	1.378	1.417	1.457	1.496	1.535
40	1.575	1.614	1.654	1.693	1.732	1.772	1.811	1.850	1.890	1.929
50	1.969	2.008	2.047	2.087	2.126	2.165	2.205	2.214	2.263	2.323
60	2.362	2.402	2.441	2.480	2.520	2.559	2.598	2.638	2.677	2.717
70	2.756	2.795	2.835	2.874	2.913	2.953	2.992	3.031	3.071	3.110
80	3.150	3.189	3.228	3.268	3.307	3.346	3.386	3.425	3.465	3.504
90	3.543	3.583	3.622	3.661	3.701	3.740	3.780	3.819	3.858	3.898

How to read

	0	1	2	3	4
00	---	---	---	---	---
10	---	---	---	---	---
20	---	---	---	0.906	---
30	---	---	---	---	---

23 millimeters equal 0.906 inch

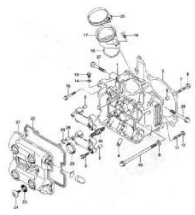
Contents are subject to change without notice or obligation.

FIG.1 GASKET SET (B-2)



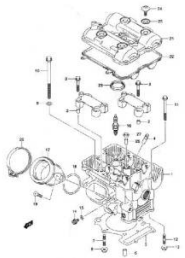
OL100M0 ECU_001
GASKET SET

FIG.2 FRONT CYLINDER HEAD (B-3)



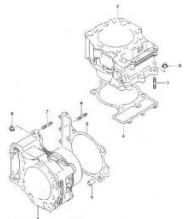
OL100M0 ECU_002
FRONT CYLINDER HEAD

FIG.3 REAR CYLINDER HEAD (B-4)



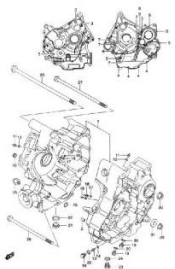
OL100M0 ECU_003
REAR CYLINDER HEAD

FIG.4 CYLINDER (B-5)



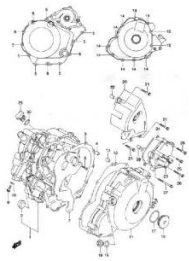
OL100M0 ECU_004
CYLINDER

FIG.5 CRANKCASE (B-6)



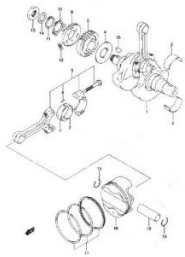
OL100M0 ECU_005
CRANKCASE

FIG.6 CRANKCASE COVER (C-2)



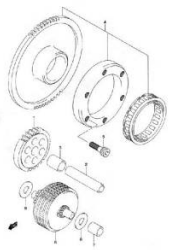
OL100M0 ECU_006
CRANKCASE COVER

FIG.7 CRANKSHAFT (C-3)



OL100M0 ECU_007
CRANKSHAFT

FIG.8 STARTER CLUTCH (C-5)



OL100M0 ECU_008
STARTER CLUTCH

FIG. 9 CAM SHAFT/VALVE (C-6)

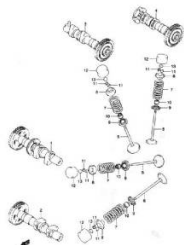
DL10000 000 200
CAM SHAFT/VALVE

FIG. 10 CAM CHAIN (C-8)

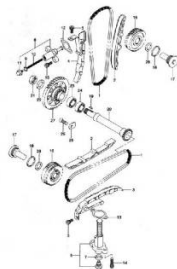
DL10000 000 200
CAM CHAIN

FIG. 11 THROTTLE BODY (C-9)

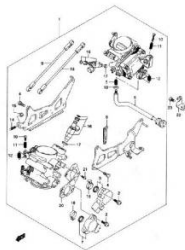
DL10000 000 210
THROTTLE BODY

FIG. 12 FUEL DELIVERY PIPE (C-10)

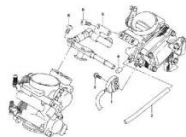
DL10000 000 210
FUEL DELIVERY PIPE

FIG. 13 AIR CLEANER (D-2)

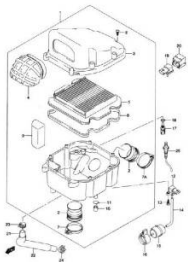
DL10000 000 210
AIR CLEANER

FIG. 14 MUFFLER (D-3)

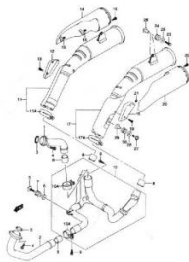
DL10000 000 210
MUFFLER

FIG. 15 OIL PUMP (D-5)

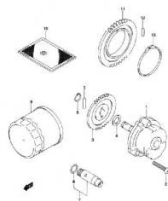
DL10000 000 210
OIL PUMP

FIG. 16 FUEL PUMP (MODEL K2/K3) (D-6)

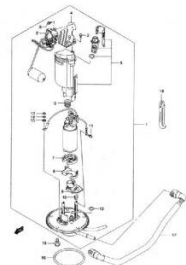
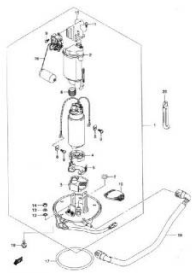
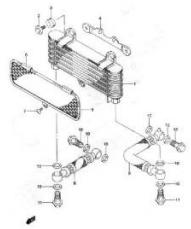
DL10000 000 210
FUEL PUMP

FIG.16A FUEL PUMP (MODEL K4) (D-7)



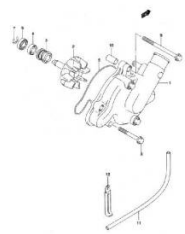
DL 10000 E06_210A FUEL PUMP

FIG.17 OIL COOLER (D-8)



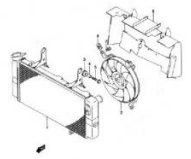
DL 10000 E06_217 OIL COOLER

FIG.18 WATER PUMP (D-9)



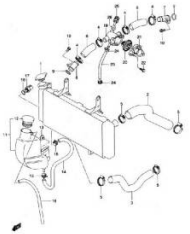
DL 10000 E06_218 WATER PUMP

FIG.19 RADIATOR (D-10)



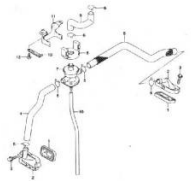
DL 10000 E06_219 RADIATOR

FIG.20 RADIATOR HOSE (D-11)



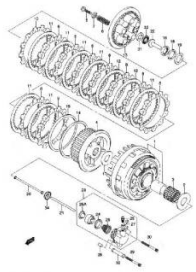
DL 10000 E06_220 RADIATOR HOSE

FIG.21 2ND AIR (D-12)



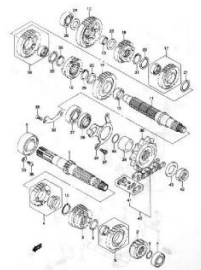
DL 10000 E06_221 2ND AIR

FIG.22 CLUTCH (E-2)



DL 10000 E06_222 CLUTCH

FIG.23 TRANSMISSION (MODEL K2/K3) (E-4)



DL 10000 E06_223 TRANSMISSION

FIG. 23A TRANSMISSION (MODEL K4) (E-6)

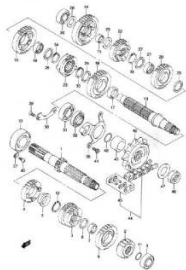
DL 10000 001_004
TRANSMISSION

FIG. 24 GEAR SHIFTING (E-8)

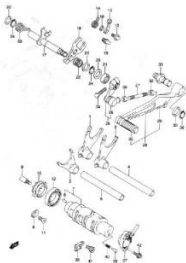
DL 10000 001_006
GEAR SHIFTING

FIG. 25 STARTING MOTOR (F-2)

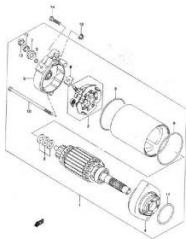
DL 10000 001_002
STARTING MOTOR

FIG. 26 MAGNETO (F-3)

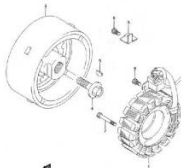
DL 10000 001_003
MAGNETO

FIG. 27 ELECTRICAL (F-4)

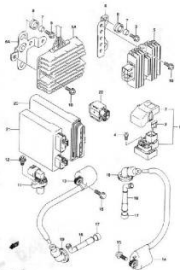
DL 10000 001_007
ELECTRICAL

FIG. 28 BATTERY (F-5)

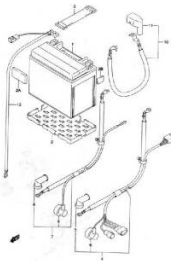
DL 10000 001_005
BATTERY

FIG. 29 SPEEDOMETER (MODEL K2/K3) (G-2)

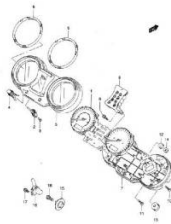
DL 10000 001_008
SPEEDOMETER

FIG. 29A SPEEDOMETER (MODEL K4) (G-3)

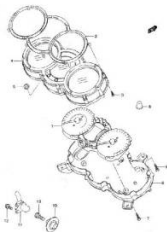
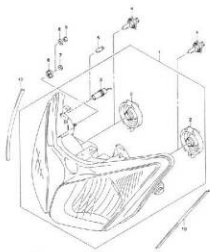
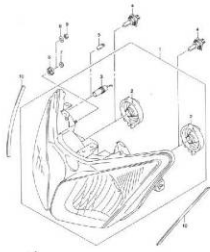
DL 10000 001_009
SPEEDOMETER

FIG.30 HEADLAMP (G-4)



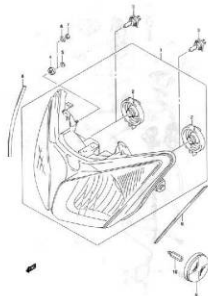
OL 100002 E19_P37
HEAD LAMP

FIG.30A HEADLAMP [E19,P37] (G-5)



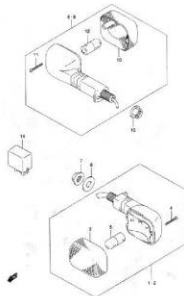
OL 100002 E19_P37A
HEAD LAMP

FIG.30B HEADLAMP [E24] (G-6)



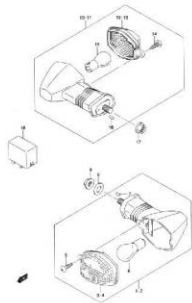
OL 100002 E24_P37A
HEAD LAMP

FIG.31 TURN SIGNAL LAMP (MODEL K2/K3) (G-7)



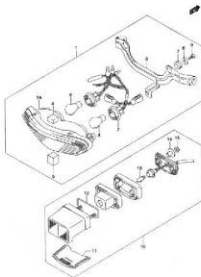
OL 100002 E24_P37A
TURN SIGNAL LAMP

FIG.31A TURN SIGNAL LAMP (MODEL K4) (G-8)



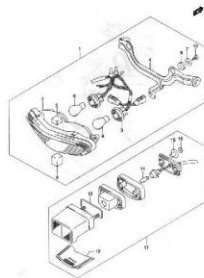
OL 100002 E24_P37A
TURN SIGNAL LAMP (K4)

FIG.32 TAIL LAMP (MODEL K2/K3) (G-9)



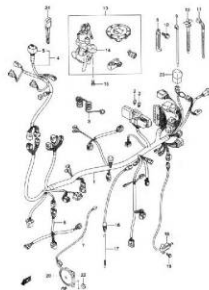
OL 100002 E24_P37
TAIL LAMP

FIG.32A TAIL LAMP (MODEL K4) (G-10)



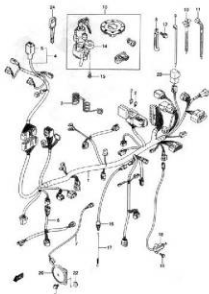
OL 100002 E24_P37A
TAIL LAMP

FIG.33 WIRING HARNESS (MODEL K2) (G-11)



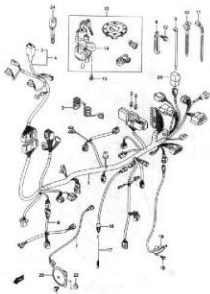
OL 100002 E24_P37
WIRING HARNESS

FIG.33A WIRING HARNESS (MODEL K3)
(G-12)



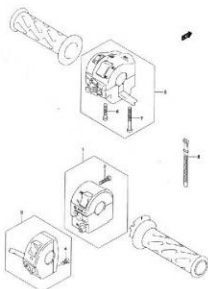
DL 10000 000 000
WIRING HARNESS

FIG.33B WIRING HARNESS (MODEL K4)
(G-13)



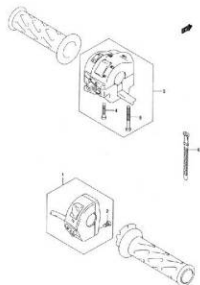
DL 10000 000 000
WIRING HARNESS

FIG.34 HANDLE SWITCH (MODEL K2) (G-14)



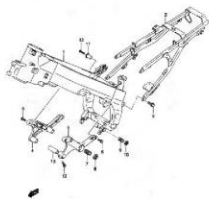
DL 10000 000 000
HANDLE SWITCH

FIG.34A HANDLE SWITCH (MODEL K3/K4)
(G-15)



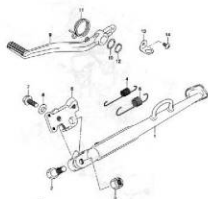
DL 10000 000 000
HANDLE SWITCH

FIG.35 FRAME (H-2)



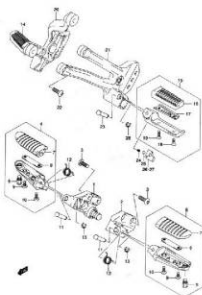
DL 10000 000 000
FRAME

FIG.36 STAND (H-3)



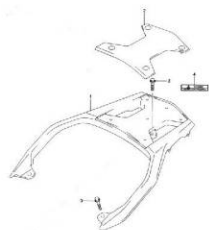
DL 10000 000 000
STAND

FIG.37 FOOTREST (H-4)



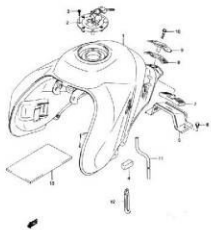
DL 10000 000 000
FOOTREST

FIG.38 CARRIER (H-5)



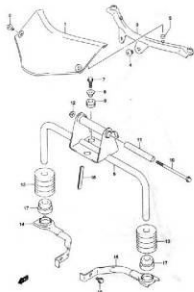
DL 10000 000 000
CARRIER

FIG.39 FUEL TANK (H-6)



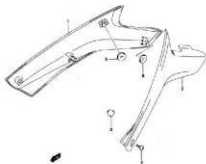
DL 1000D E02 03H
FUEL TANK

FIG.40 FRONT BRACKET (H-7)



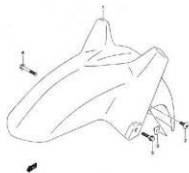
DL 1000D E02 04H
FRONT BRACKET

FIG.41 FRAME COVER (H-8)



DL 1000D E02 05H
FRAME COVER

FIG.42 FRONT FENDER (H-9)



DL 1000D E02 06H
FRONT FENDER

FIG.43 HANDLEBAR (MODEL K2/K3) (I-2)



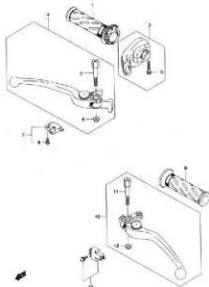
DL 1000D E02 07H
HANDLEBAR

FIG.43A HANDLEBAR (MODEL K4) (I-3)



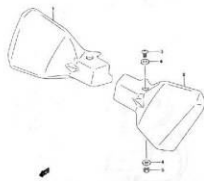
DL 1000D E02 08H
HANDLEBAR

FIG.44 HANDLE LEVER (I-4)



DL 1000D E02 09H
HANDLE LEVER

FIG.45 KNUCKLE COVER (I-5)



DL 1000D E02 10H
KNUCKLE COVER

FIG.46 REAR FENDER (I-6)

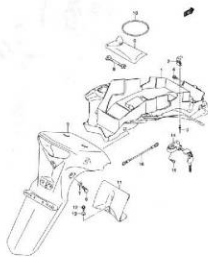
DL1000P-FRZ_248
REAR FENDER

FIG.47 COWLING BODY (MODEL K2/K3) (I-7)

DL1000P-FRZ_247
COWLING BODY

FIG.47A COWLING BODY (MODEL K4) (I-8)

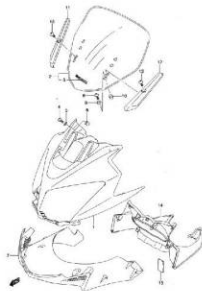
DL1000P-FRZ_247A
COWLING BODY

FIG.48 COWL BODY INSTALLATION PARTS (MODEL K2/K3) (I-9)

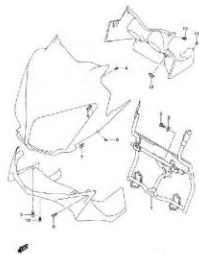
DL1000P-FRZ_248
COWL BODY INSTALLATION PARTS

FIG.48A COWL BODY INSTALLATION PARTS (MODEL K4) (I-10)

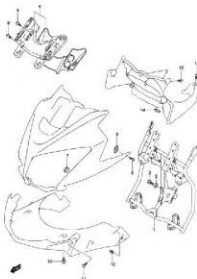
DL1000P-FRZ_248A
COWL BODY INSTALLATION PARTS

FIG.49 SIDE COWLING (MODEL K2) (I-11)

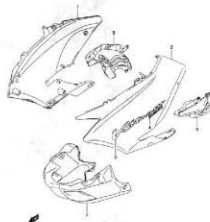
DL1000P-FRZ_249
SIDE COWLING

FIG.49A SIDE COWLING (MODEL K3) (I-12)

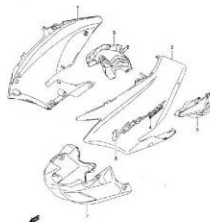
DL1000P-FRZ_249A
SIDE COWLING

FIG.49B SIDE COWLING (MODEL K4) (I-13)

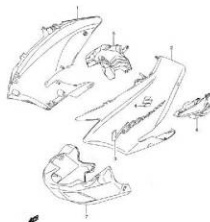
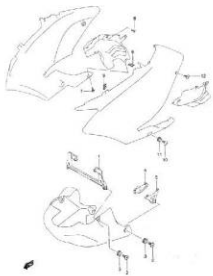
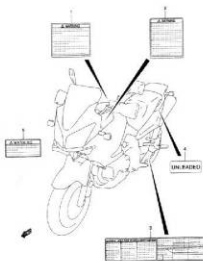
DL1000P-FRZ_249B
SIDE COWLING

FIG.50 SIDE COWL INSTALLATION PARTS (1-14)



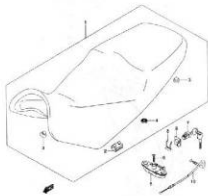
DL 101002 FIG.001
SIDE COWL INSTALLATION PARTS

FIG.51 LABEL (1-15)



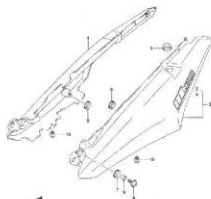
DL 101002 FIG.011
LABEL

FIG.52 SEAT (1-2)



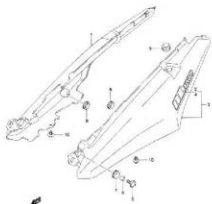
DL 101002 FIG.010
SEAT

FIG.53 SEAT TAIL COVER (MODEL K2) (1-3)



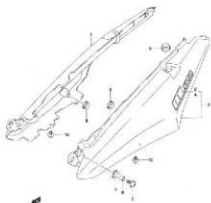
DL 101002 FIG.012
SEAT TAIL COVER

FIG.53A SEAT TAIL COVER (MODEL K3) (1-4)



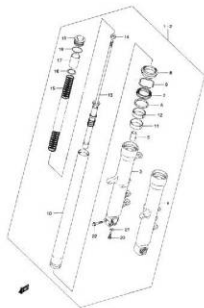
DL 101002 FIG.014
SEAT TAIL COVER

FIG.53B SEAT TAIL COVER (MODEL K4) (1-5)



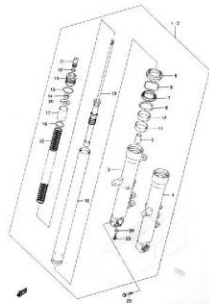
DL 101002 FIG.015
SEAT TAIL COVER

FIG.54 FRONT DAMPER (MODEL K2) (1-6)



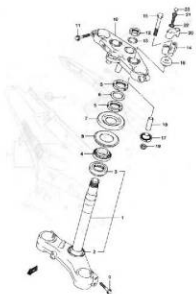
DL 101002 FIG.016
FRONT DAMPER

FIG.54A FRONT DAMPER (MODEL K3/K4) (1-7)



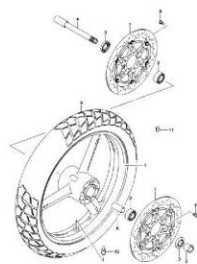
DL 101002 FIG.017
FRONT DAMPER

FIG.55 STEERING STEM (J-8)



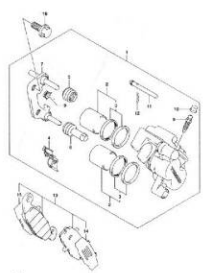
DL 10000 810_001
STEERING STEM

FIG.56 FRONT WHEEL (J-9)



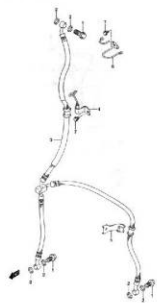
DL 10000 810_006
FRONT WHEEL

FIG.57 FRONT CALIPER (J-10)



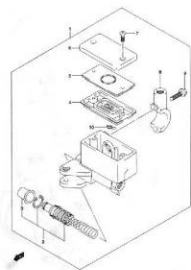
DL 10000 810_011
FRONT CALIPER

FIG.58 FRONT BRAKE HOSE (J-11)



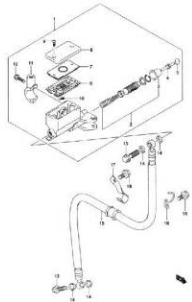
DL 10000 810_008
FRONT BRAKE HOSE

FIG.59 FRONT MASTER CYLINDER (J-12)



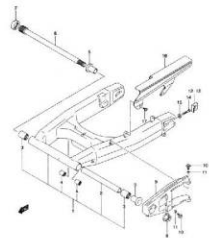
DL 10000 810_009
FRONT MASTER CYLINDER

FIG.60 CLUTCH MASTER CYLINDER (J-13)



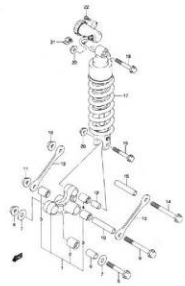
DL 10000 810_006
CLUTCH MASTER CYLINDER

FIG.61 REAR SWINGING ARM (K-2)



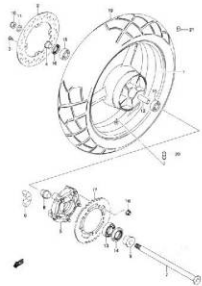
DL 10000 810_001
REAR SWINGING ARM

FIG.62 REAR CUSHION LEVER (K-3)



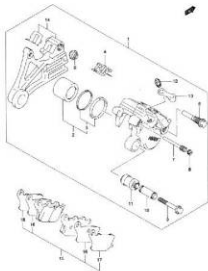
DL 10000 810_001
REAR CUSHION LEVER

FIG.63 REAR WHEEL (K-4)



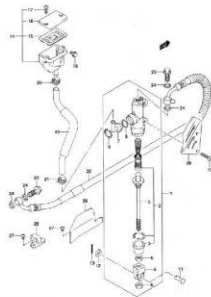
EL 10042 002_001
REAR WHEEL

FIG.64 REAR CALIPER (K-5)



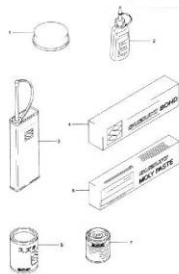
EL 10047 002_001
REAR CALIPER

FIG.65 REAR MASTER CYLINDER (K-6)



EL 10042 002_001
REAR MASTER CYLINDER

FIG.66 OPTIONAL (K-7)



EL 10043 002_001
OPTIONAL

1

2

FIG.1

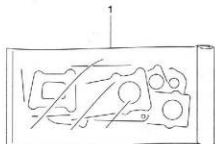
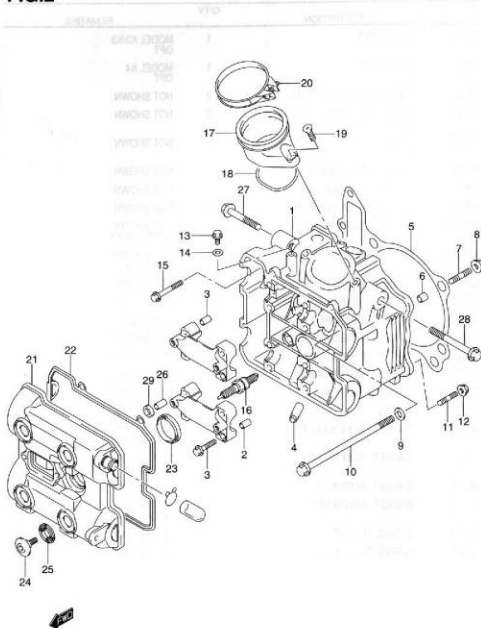


FIG.1 (B-2) GASKET SET

REF NO.	PART NO.	DESCRIPTION	QTY	REMARKS
1-1	11401-06810	GASKET SET	1	MODEL K2/K3 OPT
1-2	11401-06840	GASKET SET	1	MODEL K4 OPT
2	11141-02F01	·GASKET, CYLINDER HEAD	2	NOT SHOWN
3	11173-02F00	·GASKET, CYLINDER HEAD COVER NO.1	2	NOT SHOWN
4	11178-17E00	·GASKET, CYLINDER HEAD COVER NO.2	2	NOT SHOWN
5	11182-35F00	·GASKET, 2ND AIR PASSAGE	2	NOT SHOWN
6	11241-02F01	·GASKET, CYLINDER FRONT	1	NOT SHOWN
7	11242-02F01	·GASKET, CYLINDER REAR	1	NOT SHOWN
8-1	11482-06G00	·GASKET, CLUTCH COVER	1	NOT SHOWN MODEL K2/K3
8-2	11482-06G10	·GASKET, CLUTCH COVER	1	NOT SHOWN MODEL K4
9	11483-02F10	·GASKET, MAGNETO COVER	1	NOT SHOWN
10	11485-02F10	·GASKET, GEAR SHIFT COVER	1	NOT SHOWN
11	12837-19B10	·GASKET, TENSIONER ADJUSTER	1	NOT SHOWN
12	12837-24A10	·GASKET, TENSIONER ADJUSTER	1	NOT SHOWN
13	14181-31D00	·GASKET, EXHAUST PIPE	2	NOT SHOWN
14	14771-02F00	·CONNECTOR, EXHAUST	4	NOT SHOWN
15	15201-35F00	·O RING, FUEL PUMP	1	NOT SHOWN
16	17689-50F00	·O RING	1	NOT SHOWN
17-1	09168-14002	·GASKET (13.8X18.8X0.4)	1	NOT SHOWN MODEL K2/K3
17-2	09168-14002	·GASKET (13.8X18.8X0.4)	2	NOT SHOWN MODEL K4
18-1	09168-14011	·GASKET (14X20X1.5)	8	NOT SHOWN
18-2	09168-14015	·GASKET (14X20X1.5)	8	NOT SHOWN MODEL K4
19	09280-33004	·O RING (D:3.1, ID:32.7)	1	NOT SHOWN
20	09280-55005	·O RING (D:2.4, ID:55.6)	2	NOT SHOWN

2

FIG.2



DL1000K2 E02_002
FRONT CYLINDER HEAD

FIG.2 (B-3) FRONT CYLINDER HEAD

REF NO.	PART NO.	DESCRIPTION	QTY	REMARKS
1	11100-06G00	HEAD ASSY, CYLINDER FRONT	1	
2	09206-08001	-PIN	4	
3	09103-06026	-BOLT (6X39)	8	
4	11115-32E70	GUIDE, VALVE (OS.0.3)	4	OPT
5	11141-02F01	GASKET, CYLINDER HEAD	1	
6	04211-13189	PIN	2	
7	09108-08143	STUD BOLT (8X35)	1	
8	08316-10083	NUT	1	
9	09160-10082	WASHER	4	
10	09103-10276	BOLT (10X175)	4	
11	09108-06096	STUD BOLT (6X30)	2	
12	08316-10063	NUT	2	
13	07120-06123	PLUG	1	
14	09168-06023	GASKET	1	
15	09103-06103	BOLT (6X70)	2	
16-1	09482-00412	SPARK PLUG (NGK, CR8EK)	1	
16-2	09482-00413	SPARK PLUG (DENSO, U24ETR)	1	
16-3	09482-00410	SPARK PLUG (NGK, CR9EK)	1	OPT
16-4	09482-00411	SPARK PLUG (DENSO, U27ETR)	1	OPT
16-5	09482-00462	SPARK PLUG (NGK, CR10EK)	1	OPT
16-6	09482-00463	SPARK PLUG (DENSO, U31ETR)	1	OPT
17	13101-06G00	PIPE, INTAKE FRONT	1	
18	09280-55005	-O RING	1	
19	02122-06163	SCREW	2	
20	09402-70203	CLAMP	1	
21	11171-06G01	COVER, CYLINDER HEAD	1	
22	11173-02F00	GASKET, CYLINDER HEAD COVER	1	
23	11178-17E00	GASKET	1	
24	09106-07009	BOLT (7X17.5)	4	
25	09161-11008	WASHER	4	
26	09206-08007	PIN	1	
27	01550-10657	BOLT, RH	1	
28	01550-10857	BOLT, LH	1	
29	11182-35F00	GASKET, 2ND AIR PASSAGE	1	

DL1000K2 E2

FIG.3

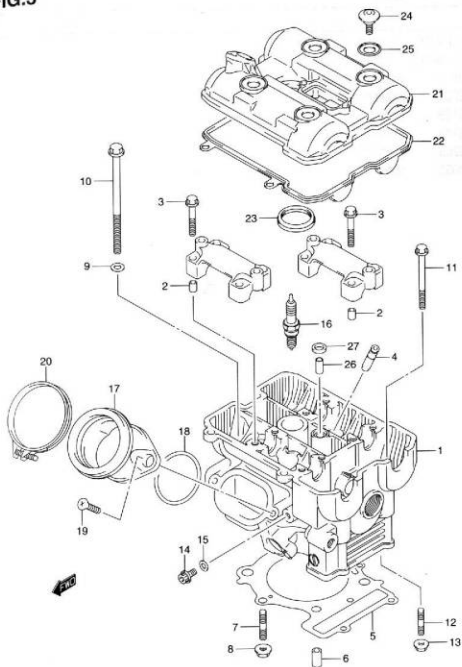


FIG.3 (B-4) REAR CYLINDER HEAD

REF NO.	PART NO.	DESCRIPTION	QTY	REMARKS
1	11100-06G00	HEAD ASSY, CYLINDER REAR	1	
2	09206-08001	·PIN	4	
3	09103-06026	·BOLT (6X39)	8	
4	11115-32E70	GUIDE, VALVE (OS.0.3)	4	OPT
5	11141-02F01	GASKET, CYLINDER HEAD	1	
6	04211-13189	PIN	2	
7	09108-08143	STUD BOLT (8X35)	1	
8	08316-10083	NUT	1	
9	09160-10082	WASHER	4	
10	09103-10276	BOLT (10X175)	4	
11	09103-06103	BOLT (6X70)	2	
12	09108-06096	STUD BOLT (6X30)	2	
13	08316-10063	NUT	2	
14	07120-06123	PLUG	1	
15	09168-06023	GASKET	1	
16-1	09482-00412	SPARK PLUG (NGK, CR8EK)	1	
16-2	09482-00413	SPARK PLUG (DENSO, U24ETR)	1	
16-3	09482-00410	SPARK PLUG (NGK, CR8EK)	1	OPT
16-4	09482-00411	SPARK PLUG (DENSO, U27ETR)	1	OPT
16-5	09482-00462	SPARK PLUG (NGK, CR10EK)	1	OPT
16-6	09482-00463	SPARK PLUG (DENSO, U31ETR)	1	OPT
17	13102-06G00	PIPE, INTAKE REAR	1	
18	09280-55005	·O RING	1	
19	02122-06163	SCREW	2	
20	09402-70203	CLAMP	1	
21	11172-06G00	COVER, CYLINDER HEAD	1	
22	11173-02F00	GASKET, CYLINDER HEAD COVER	1	
23	11178-17E00	GASKET	1	
24	09106-07009	BOLT (7X17.5)	4	
25	09161-11008	WASHER	4	
26	09206-08007	PIN	1	
27	11182-35F00	GASKET, 2ND AIR PASSAGE	1	

FIG.4

CYLINDER HEAD

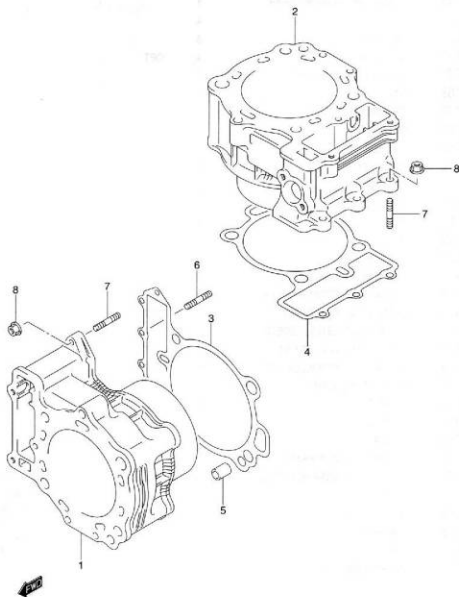


FIG.4 (B-5) CYLINDER

REF NO.	PART NO.	DESCRIPTION	QTY	REMARKS
1	11211-06G00-0F0	CYLINDER, FRONT	1	
2	11221-06G00-0F0	CYLINDER, REAR	1	
3	11241-02F01	GASKET, CYLINDER FRONT	1	
4	11242-02F01	GASKET, CYLINDER REAR	1	
5	04211-13189	PIN	4	
6	09108-06118	STUD BOLT	1	
7	01421-06203	STUD BOLT	5	
8	08316-10063	NUT	6	

2

FIG.5

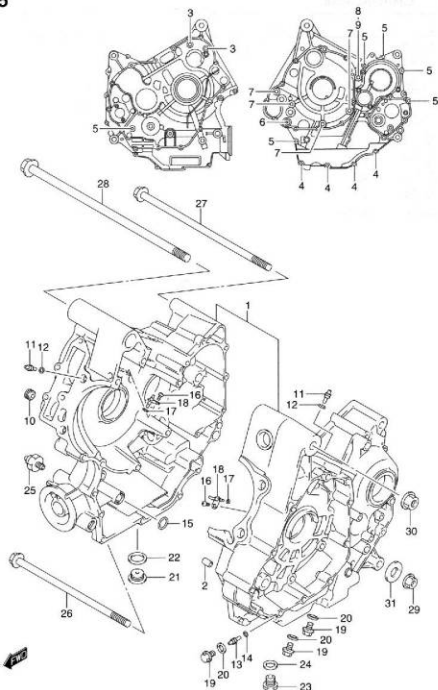


FIG.5 (B-6) CRANKCASE

REF. NO.	PART NO.	DESCRIPTION	QTY	REMARKS
1-1	11302-06812	CRANKCASE SET	1	MODEL K2/K3
1-2	11302-06821	CRANKCASE SET	1	MODEL K4
2	11319-33E00	-PIN	2	
3	09106-08142	-BOLT (L:110)	2	
4	01547-06303	-BOLT	4	
5	01547-06703	-BOLT	7	
6	01547-06853	-BOLT	1	
7	07120-08903	-BOLT	4	
8	09106-08136	-BOLT (L:125)	1	
9	08322-01083	-WASHER, CRANKCASE BOLT	1	
10	11329-02F00	-JET, OIL GALLERY 3.6	1	
11	09493-20014	-JET, OIL GALLERY	2	
12	09280-04004	-O RING (D:1.2, ID:4.0)	2	
13	09493-20014	-JET, OIL GALLERY MISSION	1	
14	09280-04004	-O RING	1	
15	09280-12009	-O RING, CRANKCASE	1	
16-1	09125-06086	BOLT	2	MODEL K2/K3
16-2	09106-06075	BOLT	2	MODEL K4
17	09280-04004	O RING (D:1.2, ID:4.0)	2	
18	11390-06G00	JET, PISTON COOLING	2	
19	01550-08123	BOLT	4	
20-1	09168-08015	GASKET	4	MODEL K2/K3
20-2	09168-08016	GASKET	4	MODEL K4
21	09248-16012	PLUG	1	
22	09168-16002	GASKET	1	
23	09247-14036	PLUG, OIL DRAIN	1	
24	09168-14002	GASKET	1	

FIG.5

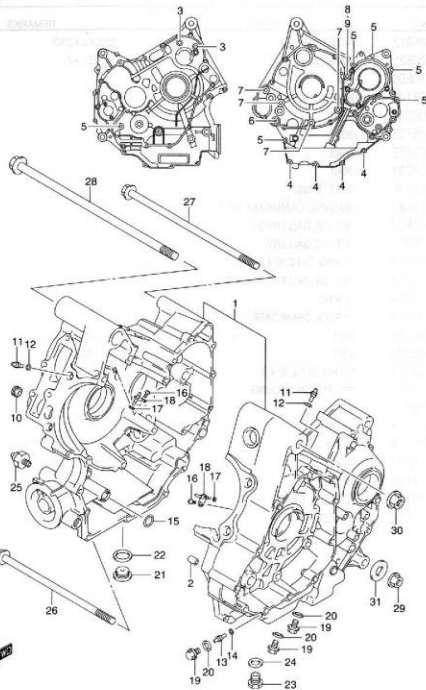


FIG.5 (B-7) CRANKCASE

REF. NO.	PART NO.	DESCRIPTION	QTY	REMARKS
25	37820-33D10	SWITCH ASSY, OIL PRESSURE	1	
26	09103-10205	BOLT (L:225)	1	
27-1	09103-10226	BOLT (L:260)	1	MODEL K2/K3
27-2	09103-10347	BOLT (L:275)	1	MODEL K4
28-1	09103-12069	BOLT (L:320)	1	MODEL K2/K3
28-2	09103-12073	BOLT (L:330)	1	MODEL K4
29-1	09159-10058	NUT	1	MODEL K2/K3
29-2	08319-31103	NUT	1	MODEL K4
30	09159-12054	NUT	1	
31	09160-10039	WASHER	1	MODEL K2/K3

FIG.6

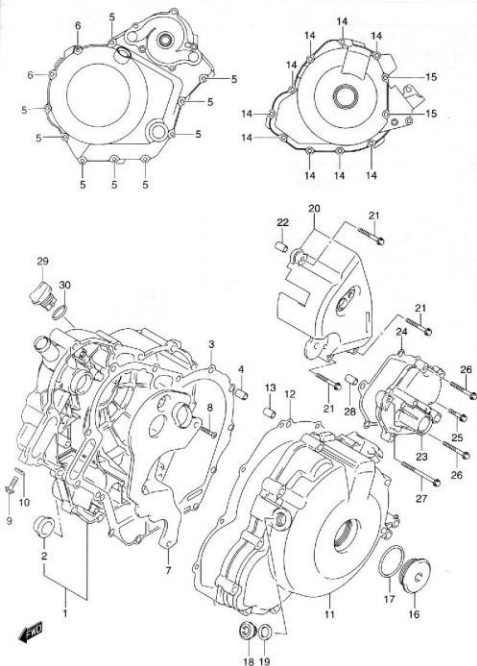
DL1000K2 E02_006
CRANKCASE COVER

FIG.6 (C-2) CRANKCASE COVER

REF. NO.	PART NO.	DESCRIPTION	QTY	REMARKS
1-1	11340-06G00	COVER, CLUTCH	1	MODEL K2
1-2	11340-06G10	COVER, CLUTCH	1	MODEL K3
1-3	11340-06G20	COVER, CLUTCH	1	MODEL K4
2	11971-33210	*LENS, OIL LEVEL CHECK	1	
3-1	11482-06G00	GASKET, CLUTCH COVER	1	MODEL K2/K3
3-2	11482-06G10	GASKET, CLUTCH COVER	1	MODEL K4
4	04211-09149	PIN	2	
5	09103-06213	BOLT (L:30)	9	
6	09103-06257	BOLT (L:75)	2	
7	11342-06G00	SEPARATOR, OIL	1	
8	02112-06123	SCREW, OIL SEPARATOR	4	
9	01550-06103	BOLT, CLUTCH COVER WATER DRAIN	1	
10	09168-06004	GASKET, CLUTCH COVER WATER DRAIN	1	
11	11351-02F51	COVER, MAGNETO	1	
12	11483-02F10	GASKET, MAGNETO COVER	1	
13	04211-09149	PIN	1	
14	09103-06214	BOLT (L:35)	9	
15	09103-06225	BOLT (L:70)	2	
16	09259-36016-20H	PLUG, CRANKSHAFT HOLE	1	
17	09280-33004	O RING (D:3.1, ID:32.7)	1	
18	09248-14011	PLUG	1	
19	09168-14002	GASKET	1	
20	11360-06G00	COVER, ENGINE SPROCKET	1	
21	09103-06214	BOLT	3	
22	04211-09149	PIN	2	
23	11381-06G00	COVER, GEAR SHIFT	1	
24	11485-02F10	GASKET	1	
25	09103-06126	BOLT	1	
26	01547-06253	BOLT	2	
27	01547-06353	BOLT	2	
28	04211-09149	PIN	2	
29-1	11971-12C51	PLUG, OIL FILLER	1	MODEL K2/K3
29-2	11971-25D00	PLUG, OIL FILLER	1	MODEL K4
30	09280-17003	O RING	1	

DL1000K2 E2

FIG.7

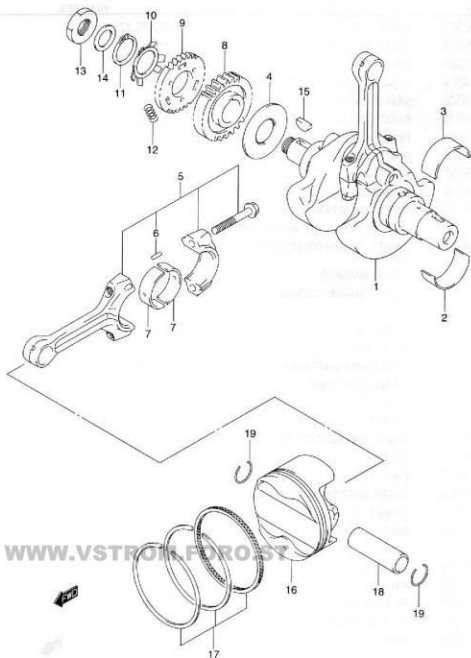


FIG.7 (C-3) CRANKSHAFT

REF NO.	PART NO.	DESCRIPTION	QTY	REMARKS
1	12220-06G00	CRANKSHAFT	1	
2-1	12229-06G01-0A0	BEARING, LOWER (GREEN)	2	
2-2	12229-06G01-0B0	BEARING, LOWER (BLACK)	2	
2-3	12229-06G01-0C0	BEARING, LOWER (BROWN)	2	
3-1	12229-06G01-0A0	BEARING, UPPER (GREEN)	2	
3-2	12229-06G01-0B0	BEARING, UPPER (BLACK)	2	
3-3	12229-06G01-0C0	BEARING, UPPER (BROWN)	2	
4	12652-38B00	WASHER, CRANK THRUST	1	
5	12160-06G00	CONNECTING ROD ASSY	2	
6	12165-27A50	-PIN	4	
7-1	12164-02F11-0A0	BEARING, CRANK PIN (GREEN)	4	
7-2	12164-02F11-0B0	BEARING, CRANK PIN (BLACK)	4	
7-3	12164-02F11-0C0	BEARING, CRANK PIN (BROWN)	4	
7-4	12164-02F11-0D0	BEARING, CRANK PIN (YELLOW)	4	
8-1	21111-02F20	GEAR, PRIMARY DRIVE	1	MODEL K2
8-2	21111-02F11	GEAR, PRIMARY DRIVE	1	MODEL K3/K4
9	21112-02F00	GEAR, PRIMARY DRIVE SCISSORS	1	
10	21114-02F00	WASHER	1	
11	08331-31406	CIRCLIP	1	
12	09440-07001	SPRING	1	
13	09140-22012	NUT	1	
14	09164-22007	WASHER	1	

WWW.VSTROM.FROST

FIG.7

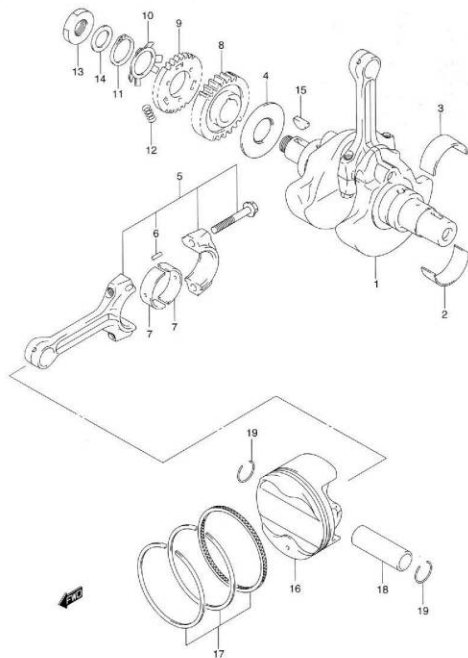


FIG.7 (C-4) CRANKSHAFT

REF NO.	PART NO.	DESCRIPTION	QTY	REMARKS
15	09420-06001	KEY	1	
16	12111-06G00-0F0	PISTON	2	
17	12140-02F42	RING SET, PISTON	2	
18	12151-02F00	PIN, PISTON	2	
19	09381-22002	CIRCLIP	4	

L.O.F

2

FIG.8

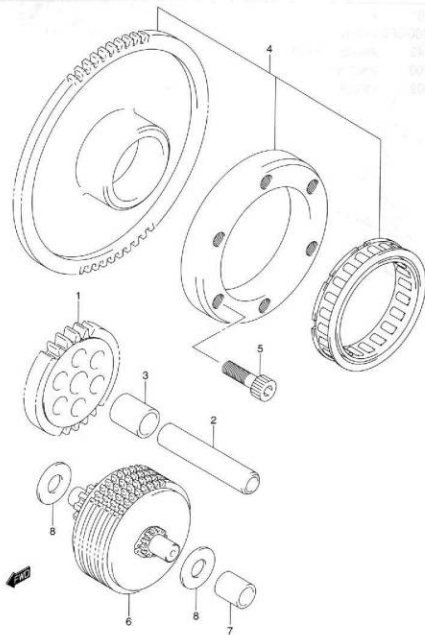


FIG.8 (C-5) STARTER CLUTCH

REF NO.	PART NO.	DESCRIPTION	QTY	REMARKS
1	12612-06G00	GEAR, STARTER IDLE	1	
2	09206-12002	PIN	1	
3	09180-12140	SPACER	1	
4	12600-06810	CLUTCH SET, STARTER	1	
5	09106-08106	BOLT	6	
6	12600-06G00	LIMITER ASSY, STARTER IDLE GEAR	1	
7	12618-31D01	BUSH	2	
8	08211-10221	WASHER	2	

FIG.9

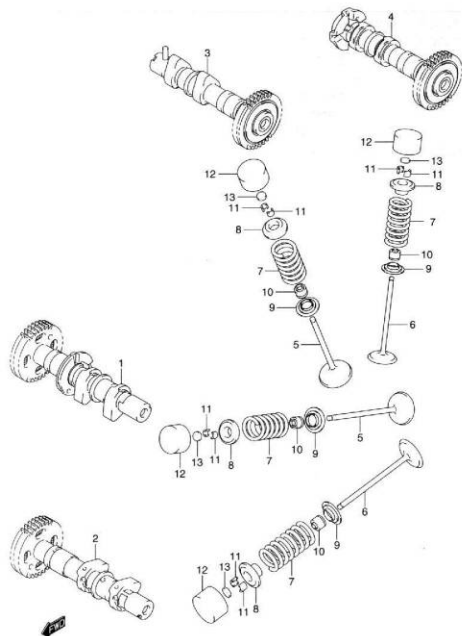


FIG.9 (C-6) CAM SHAFT/VALVE

REF NO.	PART NO.	DESCRIPTION	QTY	REMARKS
1	12701-06G00	CAM SHAFT ASSY, INTAKE FRONT	1	
2	12702-06G00	CAM SHAFT ASSY, EXHAUST FRONT	1	
3	12703-06G00	CAM SHAFT ASSY, INTAKE REAR	1	
4	12704-06G00	CAM SHAFT ASSY, EXHAUST REAR	1	
5-1	12911-06G00	VALVE, INTAKE	4	MODEL K2
5-2	12911-16G00	VALVE, INTAKE	4	MODEL K3/K4
6	12912-02F00	VALVE, EXHAUST	4	
7	12921-06G00	SPRING VALVE	8	
8	12931-06G00	RETAINER, VALVE SPRING	8	
9	12933-06G00	SEAT, VALVE SPRING	8	
10	09289-05015	SEAL, VALVE STEM OIL	8	
11	12932-24400	COTTER, VALVE	16	
12	12891-02F00	TAPPET	8	
13-1	12892-41C00-230	SHIM, TAPPET (T.2.30)	8	
13-2	12892-41C00-235	SHIM, TAPPET (T.2.35)	8	
13-3	12892-41C00-240	SHIM, TAPPET (T.2.40)	8	
13-4	12892-41C00-245	SHIM, TAPPET (T.2.45)	8	
13-5	12892-41C00-250	SHIM, TAPPET (T.2.50)	8	
13-6	12892-41C00-255	SHIM, TAPPET (T.2.55)	8	
13-7	12892-41C00-260	SHIM, TAPPET (T.2.60)	8	
13-8	12892-41C00-265	SHIM, TAPPET (T.2.65)	8	
13-9	12892-41C00-270	SHIM, TAPPET (T.2.70)	8	
13-10	12892-41C00-275	SHIM, TAPPET (T.2.75)	8	
13-11	12892-41C00-280	SHIM, TAPPET (T.2.80)	8	
13-12	12892-41C00-285	SHIM, TAPPET (T.2.85)	8	
13-13	12892-41C00-290	SHIM, TAPPET (T.2.90)	8	
13-14	12892-41C00-295	SHIM, TAPPET (T.2.95)	8	
13-15	12892-41C00-300	SHIM, TAPPET (T.3.00)	8	
13-16	12892-41C00-305	SHIM, TAPPET (T.3.05)	8	
13-17	12892-41C00-310	SHIM, TAPPET (T.3.10)	8	
13-18	12892-41C00-315	SHIM, TAPPET (T.3.15)	8	
13-19	12892-41C00-320	SHIM, TAPPET (T.3.20)	8	
13-20	12892-41C00-325	SHIM, TAPPET (T.3.25)	8	

FIG.9

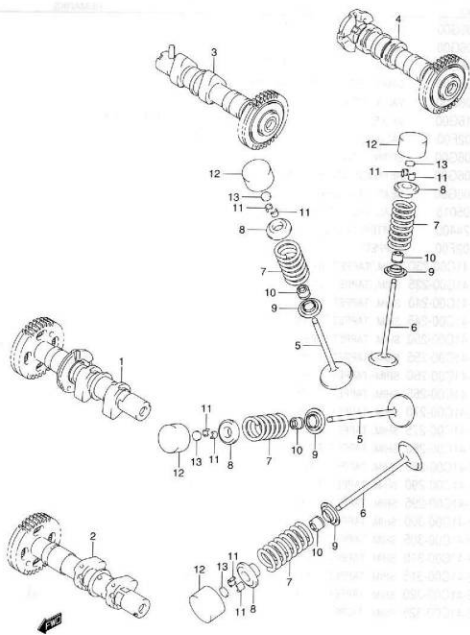


FIG.9 (C-7) CAM SHAFT/VALVE

REF NO.	PART NO.	DESCRIPTION	QTY	REMARKS
13-21	12892-41C00-330	SHIM, TAPPET (T.3.30)	8	
13-22	12892-41C00-335	SHIM, TAPPET (T.3.35)	8	
13-23	12892-41C00-340	SHIM, TAPPET (T.3.40)	8	
13-24	12892-41C00-345	SHIM, TAPPET (T.3.45)	8	
13-25	12892-41C00-350	SHIM, TAPPET (T.3.50)	8	
14	12800-41810	SHIM SET, TAPPET INC REF. NO. 13-1~13-25 (5PCS EACH) & NO. 15	1	OPT NOT SHOWN
15	99000-69471	*CASE, TAPPET SHIM	1	OPT NOT SHOWN

FIG.10

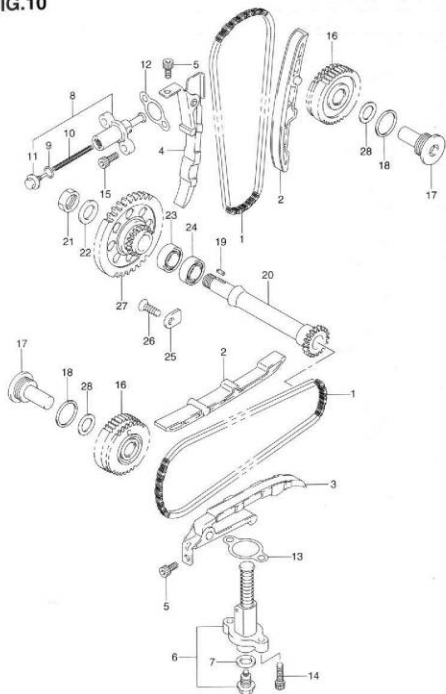
DL1000K2 E02_010
CAM CHAIN

FIG.10 (C-8) CAM CHAIN

REF NO.	PART NO.	DESCRIPTION	QTY	REMARKS
1	12760-23F00	CHAIN, CAM SHAFT DRIVE	2	
2	12771-06G00	GUIDE, CAM CHAIN	2	
3	12810-06G00	TENSIONER, FRONT CAM CHAIN	1	
4	12815-06G00	TENSIONER, REAR CAM CHAIN	1	
5	07120-06123	BOLT	2	
6	12832-05A10	ADJUSTER ASSY, FRONT TENSIONER	1	
7	09168-12018	*GASKET	1	
8	12830-30A01	ADJUSTER ASSY, REAR TENSIONER	1	
9	12832-02A00	*O RING	1	
10	12833-30A01	*SPRING	1	
11	12834-02A00	*PLUG	1	
12	12837-19B10	GASKET	1	
13	12837-24A10	GASKET	1	
14	07130-06253	BOLT	2	
15	07130-06203	BOLT	2	
16	12750-06G00	GEAR, CAM CHAIN IDLER NO.2	2	
17	12755-02F01	SHAFT, IDLER NO.2	2	
18	09168-26001	GASKET	2	
19	09421-04004	KEY	1	
20	12716-06G00	SHAFT, IDLER	1	
21-1	09140-16005	NUT	1	MODEL K2/K3
21-2	09140-16001	NUT	1	MODEL K4
22	09181-16212	WASHER	1	
23	08113-63030	BEARING, RH	1	
24	09262-25006	BEARING, LH	1	
25	24741-20A00	RETAINER, BEARING	1	
26	09126-06011	SCREW	1	
27	12731-06G00	SPROCKET, IDLER NO.1	1	
28-1	09181-15164	SHIM, CAM CHAIN IDLER, T:0.9	2	
28-2	09181-15166	SHIM, CAM CHAIN IDLER, T:1.0	2	
28-3	09181-15172	SHIM, CAM CHAIN IDLER, T:1.1	2	
28-4	09181-15176	SHIM, CAM CHAIN IDLER, T:1.2	2	
28-5	09181-15181	SHIM, CAM CHAIN IDLER, T:1.3	2	
28-6	09181-15182	SHIM, CAM CHAIN IDLER, T:1.4	2	

DL1000K2 E2

DL1000K2 E2
CAM CHAIN

2

FIG.11

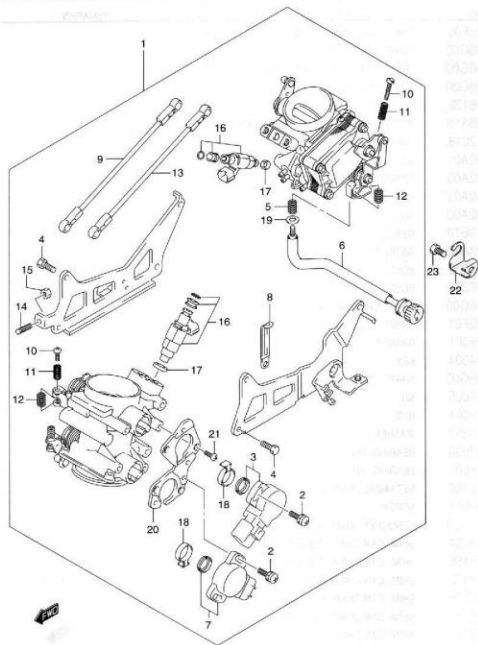


FIG.11 (C-9) THROTTLE BODY

REF NO.	PART NO.	DESCRIPTION	QTY	REMARKS
1-1	13405-06G01	INJECTION ASSY	1	MODEL K2/K3 E2, E19
1-2	13405-06G21	INJECTION ASSY	1	MODEL K2/K3 E24, F37
1-3	13405-06G30	INJECTION ASSY	1	MODEL K4 E2, E19
2	13605-02F00	-SCREW	4	
3	13580-06G00	-SENSOR ASSY	1	
4	13612-02F00	-BOLT	8	
5	13271-93011	-SPRING	1	
6	13270-06G00	-ADJUST SCREW ASSY	1	
7	13580-02F00	-SENSOR ASSY	1	
8	09404-06429	-CLAMP	1	
9	13552-06G10	-ROD ASSY	1	
10	13548-42F00	-SCREW	2	
11	13271-44B00	-SPRING	2	
12	13268-89J00	-SPRING	2	
13	13552-06G00	-ROD ASSY	1	
14	13605-06G00	-ADJUST SCREW	1	
15	13607-47070	-NUT	1	
16	15710-06G00	-INJECTOR ASSY	2	
17	13672-33E00	-CUSHION	2	
18	13311-06G00	-RING	2	
19	13386-09410	-WASHER	1	
20	13627-06G00	-PLATE	1	
21	02112-04107	-SCREW	4	
22	13279-06G00	PLATE, IDLE ADJUST	1	
23	01500-06123	BOLT, IDLE ADJUST PLATE	1	

FIG.12

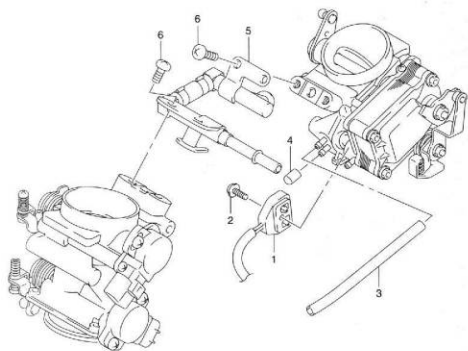


FIG.12 (C-10) FUEL DELIVERY PIPE

81.019

REF NO.	PART NO.	DESCRIPTION	QTY	REMARKS
1	13477-39F00	HARNESS ASSY	1	
2	02112-34163	SCREW	1	
3	13683-10F60	HOSE	1	L:125
4	13274-84000	CAP	2	
5	15730-06G00	DELIVERY PIPE ASSY	1	
6	13602-06128	SCREW	4	

2

FIG.13

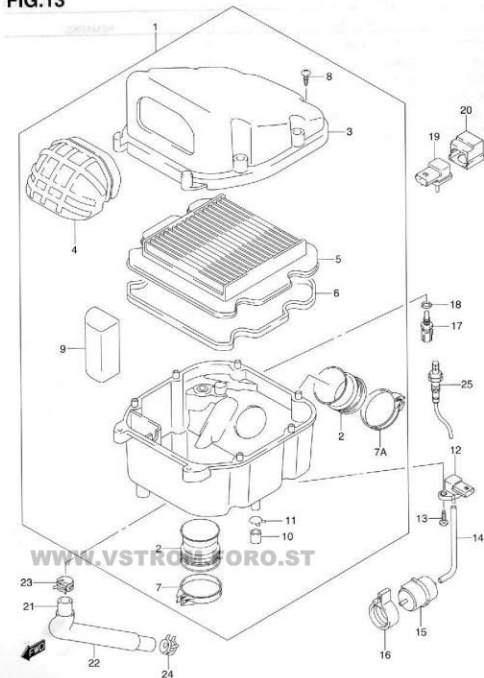


FIG.13 (D-2) AIR CLEANER

REF NO.	PART NO.	DESCRIPTION	QTY	REMARKS
1	13700-06G00	CLEANER ASSY. AIR	1	
2	13881-06G00	-TUBE, OUTLET	2	
3	13741-06G00	-CAP, AIR CLEANER	1	
4	13891-06G00	-TUBE, INLET	1	
5	13780-06G00	-FILTER, AIR CLEANER	1	
6	13746-06G00	-GASKET, AIR CLEANER	1	
7	13170-06G00	-CLAMP, OUTLET TUBE FRONT	1	
7A	09402-60208	-CLAMP, OUTLET TUBE REAR	1	
8	03142-05163	-SCREW	8	
9	13788-06G00	-FILTER, BREATHER	1	
10	13859-41B10	-PLUG	1	
11	09401-14301	-CLIP	2	
12	18590-80C40	SENSOR BOOST	1	
13	03541-05163	SCREW	1	
14	13697-17F00	HOSE, BOOST SENSOR	1	
15	13715-06G00	CHAMBER, VACUUM	1	
16	13912-02FA0	BAND, VACUUM CHAMBER	1	
17	13650-57F00	SENSOR, AIR TEMP	1	
18	09168-12017	GASKET, TEMP SENSOR	1	
19	18591-42F00	SENSOR, PRESSURE	1	
20	18595-42F00	HOLDER, SENSOR	1	
21	13851-06G00	TUBE, BREATHER	1	
22	13858-06G00	PROTECTOR, BREATHER TUBE	1	
23	09401-22405	CLIP	1	
24	09402-28511	CLAMP	1	
25	18213-06G00	SENSOR, OXYGEN	1	E2, E19

FIG.14

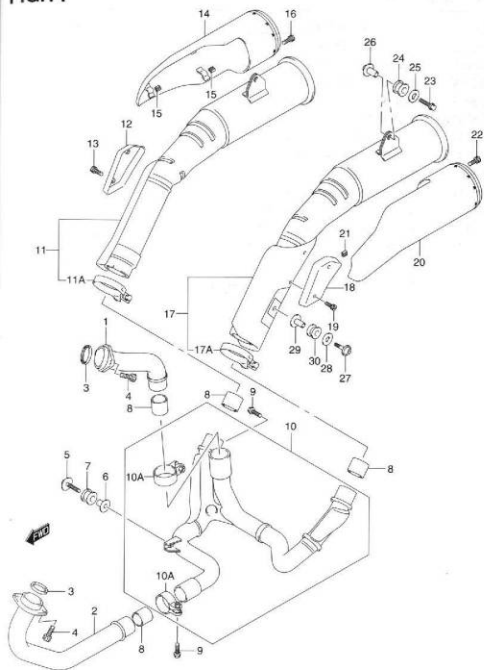


FIG.14 (D-3) MUFFLER

REF NO.	PART NO.	DESCRIPTION	QTY	REMARKS
1	14150-06G00	PIPE, EXHAUST RH	1	
2	14160-06G00	PIPE, EXHAUST LH	1	
3	14181-31D00	GASKET, EXHAUST PIPE	2	
4	09106-08104	BOLT, EXHAUST PIPE	4	
5	09118-08152	BOLT, EXHAUST SUPPORT	1	
6	09180-08152	SPACER, EXHAUST SUPPORT	1	
7	09320-12048	CUSHION, EXHAUST SUPPORT	1	
8	14771-02F00	CONNECTOR, EXHAUST	4	
9	09103-08392	BOLT, CONNECTOR	4	
10-1	14205-06G00	PIPE, EXHAUST CENTER	1	E2, E19
10-2	14205-06G10	PIPE, EXHAUST CENTER	1	E24, P37
10A	14459-42F10	-CLAMP, MUFFLER CONNECTOR	2	
11-1	14305-06G00	MUFFLER, RH	1	MODEL K2 E2, E19
11-2	14305-06G10-H01	MUFFLER, RH	1	MODEL K2 E2, E19
11-3	14305-06G02	MUFFLER, RH	1	MODEL K3/K4 E2, E19
11-4	14305-06G11-H01	MUFFLER, RH	1	MODEL K3/K4 E24, P37
11A	14459-42F10	-CLAMP, MUFFLER CONNECTOR	1	
12	14186-06G00	PROTECTOR, MUFFLER COVER RH	1	
13	07130-05123	SCREW, PROTECTOR MUFFLER	2	
14-1	14780-06G00	COVER, MUFFLER RH	1	MODEL K2
14-2	14780-06G01	COVER, MUFFLER RH	1	MODEL K3/K4
15	14795-06G00	GROMMET, MUFFLER COVER	3	
16	09106-06076	SCREW, MUFFLER COVER	2	
17-1	14306-06G00	MUFFLER, LH	1	MODEL K2 E2, E19
17-2	14306-06G10-H01	MUFFLER, LH	1	MODEL K2 E24, P37
17-3	14306-06G02	MUFFLER, LH	1	MODEL K3/K4 E2, E19
17-4	14306-06G11-H01	MUFFLER, LH	1	MODEL K3/K4 E24, P37
17A	14459-42F10	-CLAMP, MUFFLER CONNECTOR	1	
18	14196-06G00	PROTECTOR, MUFFLER COVER LH	1	
19	07130-05123	SCREW, PROTECTOR MUFFLER	2	

FIG.14

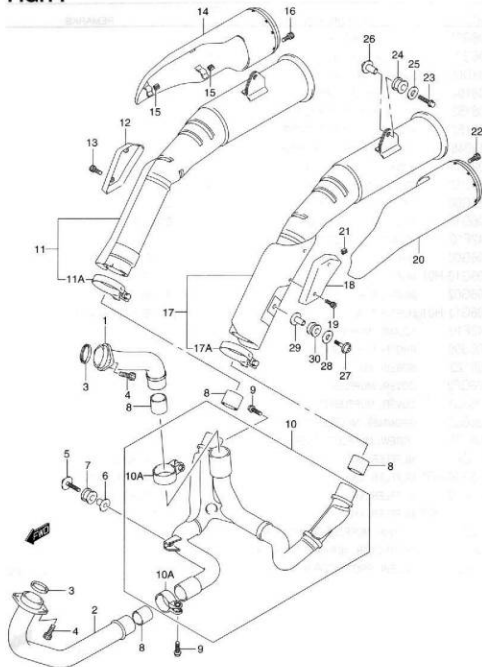


FIG.14 (D-4) MUFFLER

REF NO.	PART NO.	DESCRIPTION	QTY	REMARKS
20-1	14790-06G00	COVER, MUFFLER LH	1	MODEL K2
20-2	14790-06G01	COVER, MUFFLER LH	1	MODEL K2/K3
21	14795-06G00	GROMMET, MUFFLER COVER	3	
22	09106-06076	SCREW, MUFFLER COVER	2	
23	09103-08358	BOLT, MUFFLER SUPPORT	2	
24	09320-12049	CUSHION, MUFFLER SUPPORT	2	
25	09160-08146	WASHER, MUFFLER SUPPORT	2	
26	14414-06G00	NUT, MUFFLER SUPPORT	2	
27	09106-08147	BOLT, MUFFLER SUPPORT FRONT	2	
28	09160-08134	WASHER, MUFFLER SUPPORT FRONT	2	
29	09180-08151	SPACER, MUFFLER SUPPORT FRONT	2	
30	09320-12043	CUSHION, MUFFLER SUPPORT FRONT	2	

FIG.15

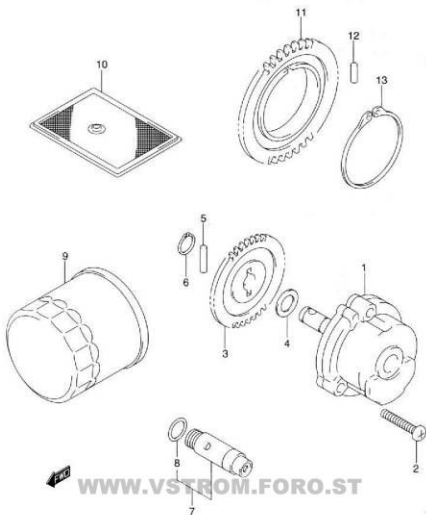


FIG.15 (D-5) OIL PUMP

REF NO.	PART NO.	DESCRIPTION	QTY	REMARKS
1	16400-02FB0	PUMP ASSY, ENGINE OIL	1	
2	02112-06253	SCREW	3	
3	16331-02F00	GEAR, OIL PUMP DRIVEN	1	
4	09181-10158	WASHER	1	
5	09261-04009	PIN	1	
6	08331-31106	CIRCLIP	1	
7	16440-24F00	VALVE ASSY, OIL RELIEF	1	
8	09280-13004	O RING	1	
9	16510-03G00-X07	FILTER ASSY, ENGINE OIL	1	
10	16520-32E00	STRAINER, ENGINE OIL	1	
11	16321-02F00	GEAR, OIL PUMP DRIVE	1	
12	09261-06002	PIN	1	
13	08331-31506	CIRCLIP	1	

FIG.16

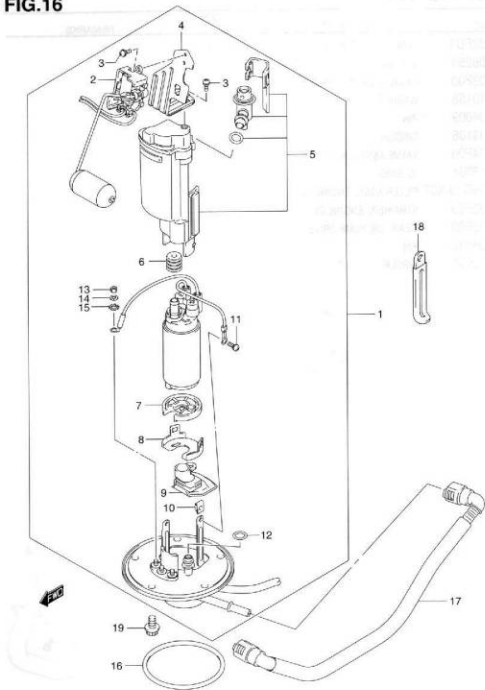


FIG.16 (D-6) FUEL PUMP (MODEL K2/K3)

REF NO.	PART NO.	DESCRIPTION	QTY	REMARKS
1	15100-06G00	PUMP ASSY, FUEL	1	
2	34810-06G00	GAUGE ASSY, FUEL LEVER	1	
3	15116-35F10	SCREW	2	
4	15181-06G00	BRACKET, FUEL GAUGE	1	
5	15410-24FB0	FUEL FILTER	1	
6	15114-35F00	BUSH	1	
7	15111-35F00	CUSHION, FUEL PUMP	1	
8	15112-42F00	HOLDER, FUEL PUMP	1	
9	15420-24FB0	STRAINER, FUEL	1	
10	15115-35F00	NUT	2	
11	15116-35F10	SCREW	2	
12	15113-35F00	O RING	1	
13	15173-35F00	NUT	3	
14	15172-35F00	SPRING WASHER	3	
15	15171-35F00	WASHER	3	
16	15201-35F00	O RING	1	
17	15810-06G00	FUEL HOSE	1	
18	09404-06432	CLAMP, FUEL PUMP HARNESS	1	
19	07120-06123	BOLT, FUEL PUMP	5	

REFER TO FIG.16A (D-7) FOR MODEL K4

FIG.16A

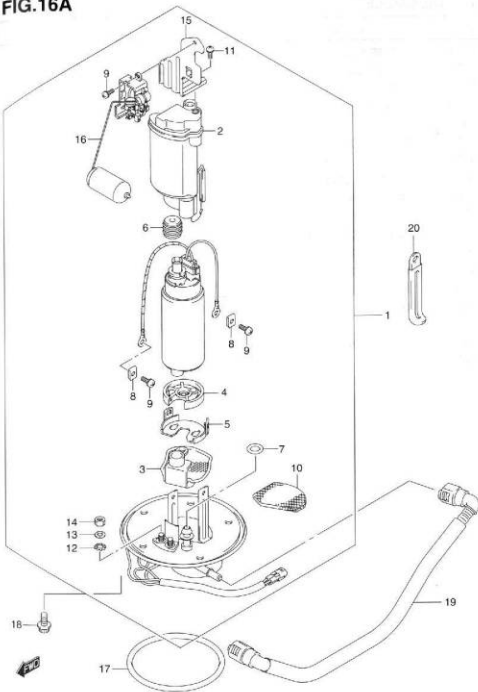


FIG.16A (D-7) FUEL PUMP (MODEL K4)

REF NO.	PART NO.	DESCRIPTION	QTY	REMARKS
1	15100-06G10	PUMP ASSY, FUEL	1	
2	15410-24F80	FILTER ASSY, FUEL	1	
3	15420-35F01	STRAINER, FUEL PUMP	1	
4	15111-35F00	CUSHION, FUEL PUMP	1	
5	15112-42F00	HOLDER, FUEL PUMP	1	
6	15114-35F00	BUSH, FUEL PUMP	1	
7	15113-35F00	O RING	1	
8	15115-35F00	NUT	2	
9	15116-06G10	SCREW	1	
10	15117-06G10	SHEET	1	
11	15116-35F10	SCREW	4	
12	15171-35F00	WASHER	2	
13	15172-35F00	SPRING WASHER	2	
14	15173-35F00	NUT	2	
15	15181-06G00	BRACKET, FUEL GAUGE	1	
16	34810-06G10	GAUGE ASSY	1	
17	15201-35F00	O RING, FUEL PUMP	1	
18	07120-06123	BOLT	5	
19	15810-06G00	HOSE, FUEL	1	
20	09404-06429	CLAMP	1	

2

FIG.17

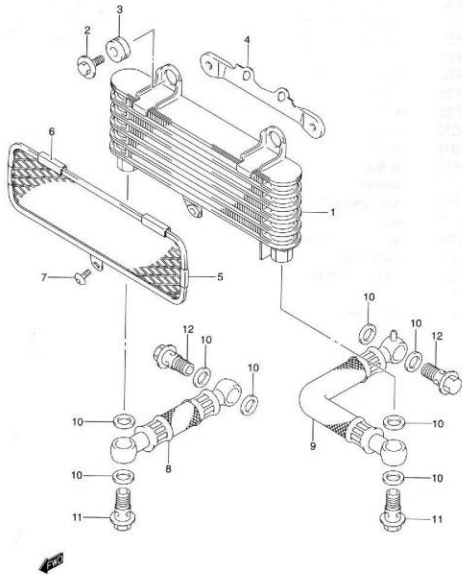


FIG.17 (D-8) OIL COOLER

REF NO.	PART NO.	DESCRIPTION	QTY	REMARKS
1-1	16600-06G00	COOLER ASSY, OIL	1	MODEL K2/K3
1-2	16600-16G00	COOLER ASSY, OIL	1	MODEL K4
2	09116-06167	BOLT	2	
3-1	09320-10015	CUSHION	2	MODEL K2/K3
3-2	09320-09009	CUSHION	2	MODEL K4
4	16620-02F00	BRACKET, OIL COOLER	1	
5-1	16650-02F00	GUARD, OIL COOLER	1	MODEL K2/K3
5-2	16650-16G00	GUARD, OIL COOLER	1	MODEL K4
6	17765-09F00	PROTECTOR, CENTER	2	
7	02142-05103	BOLT	1	
8-1	16460-02F00	HOSE, OIL COOLER RH	1	MODEL K2/K3
8-2	16460-16G00	HOSE, OIL COOLER RH	1	MODEL K4
9-1	16470-06G00	HOSE, OIL COOLER LH	1	MODEL K2/K3
9-2	16470-16G00	HOSE, OIL COOLER LH	1	MODEL K4
10-1	09168-14011	GASKET	8	MODEL K2/K3
10-2	09168-14015	GASKET	8	MODEL K4
11	09360-12012	BOLT, UNION	2	
12	09360-14012	BOLT	2	

FIG.18

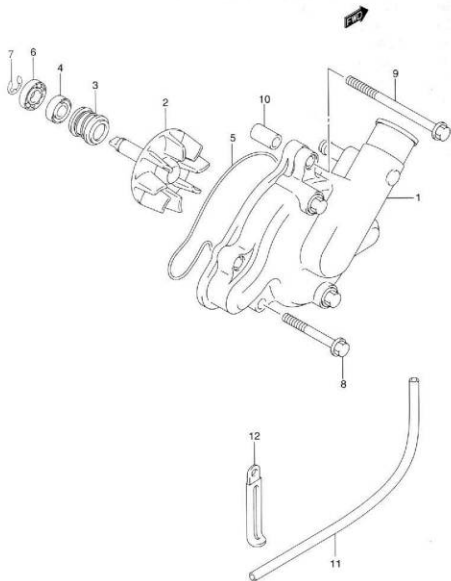


FIG.18 (D-9) WATER PUMP

REF NO.	PART NO.	DESCRIPTION	QTY	REMARKS
1-1	17410-02F20	CASE, WATER PUMP	1	MODEL K2/K3
1-2	17410-02F40	CASE, WATER PUMP	1	MODEL K4
2-1	17491-06G00	IMPELLER	1	MODEL K2/K3
2-2	17491-16G00	IMPELLER	1	MODEL K4
3	17470-02F10	SEAL, MECHANICAL	1	
4	09283-10005	OIL SEAL	1	
5	17435-02F00	O RING	1	
6	09262-10016	BEARING, WATER PUMP	2	
7	08332-11086	E RING	1	
8	09103-06213	SCREW	2	
9	09103-06239	BOLT	3	
10	04211-09149	PIN	1	
11	09352-42703-600	HOSE	1	MODEL K3/K4 L-600-220
12	09404-06431	CLAMP	1	MODEL K3/K4

2

FIG.19

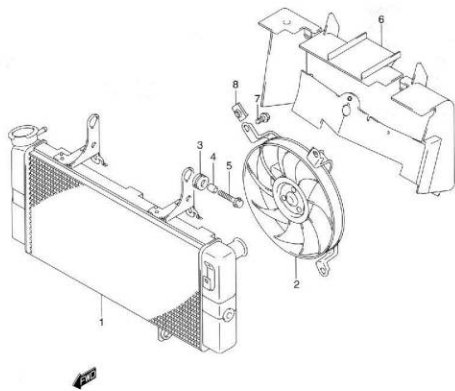


FIG.19 (D-10) RADIATOR

REF NO.	PART NO.	DESCRIPTION	QTY	REMARKS
1	17710-06G00	RADIATOR ASSY, WATER	1	
2	17800-06G00	FAN ASSY	1	
3-1	09320-10042	CUSHION	3	MODEL K2/K3
3-2	09320-10051	CUSHION	3	MODEL K4
4	09180-06290	SPACER	2	
5	09118-06097	BOLT (6X20)	2	
6	17760-06G00	SHIELD, RADIATOR HEAT	1	
7	17711-40F00	BOLT	3	
8	17712-40F00	NUT	3	

FIG.20

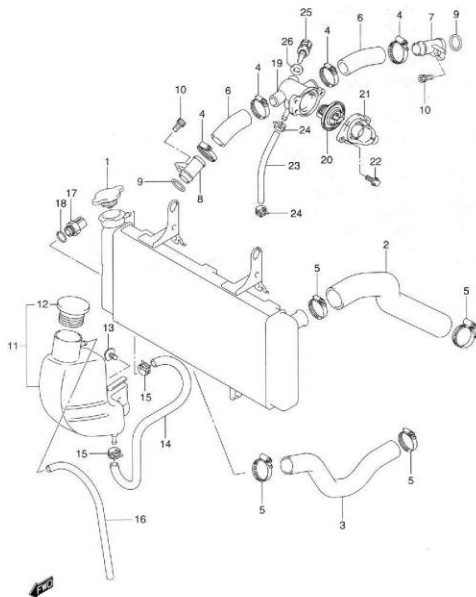


FIG.20 (D-11) RADIATOR HOSE

IS.019

REF. NO.	PART NO.	DESCRIPTION	QTY	REMARKS
1	17730-12C20	CAP, RADIATOR	1	
2	17851-06G00	HOSE, RADIATOR INLET	1	
3	17852-06G00	HOSE, RADIATOR OUTLET	1	
4	09402-28511	CLAMP	4	
5	09402-38511	CLAMP	4	
6	17853-02F00	HOSE, CONNECTOR INLET	2	
7-1	17890-06G00	UNION, CONNECTOR HOSE	1	MODEL K2/K3
7-2	17890-06G20	UNION, CONNECTOR HOSE	1	MODEL K4
8-1	17890-06G10	UNION, CONNECTOR HOSE FRONT	1	MODEL K2/K3
8-2	17890-06G20	UNION, CONNECTOR HOSE	1	MODEL K4
9	09280-18009	O RING	2	
10	07130-06123	BOLT	2	
11-1	17910-06G00	TANK ASSY, RESERVOIR	1	MODEL K2/K3
11-2	17910-06G10	TANK ASSY, RESERVOIR	1	MODEL K4
12	17931-06G00	CAP	1	
13-1	09116-06191	SCREW	1	MODEL K2/K3
13-2	09111-06085	BOLT	1	MODEL K4
14	17981-19F00	HOSE, RESERVOIR TANK INLET	1	
15	09401-08411	CLIP	2	
16	09352-50901-00B	HOSE, RESERVOIR TANK	1	L:2000-950
17	17680-33E00	SWITCH, RADIATOR FAN	1	
18	17689-50F00	O RING	1	
19	17662-02F11	CONNECTOR, THERMOSTAT INLET	1	
20-1	17670-06G30	THERMOSTAT	1	MODEL K2
20-2	17670-06G50	THERMOSTAT	1	MODEL K3/K4
21	17663-42E00	CAP, THERMOSTAT CONNECTOR	1	
22	01550-06163	BOLT, CONNECTOR	2	
23-1	17856-02F10	HOSE, CONNECTOR TO WATER PUMP	1	MODEL K2
23-2	17856-16G00	HOSE, CONNECTOR TO WATER PUMP	1	MODEL K3
23-3	17856-16G10	HOSE, WATER BYPASS	1	MODEL K4
24	09401-12409	CLIP	2	
25	13650-57F00	SENSOR, WATER TEMP	1	
26	09168-12017	GASKET, TEMP SENSOR	1	

FIG.21

SCHEMATIC

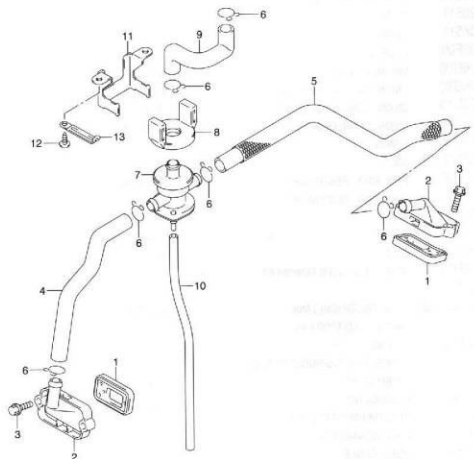


FIG.21 (D-12) 2ND AIR

REF NO.	PART NO.	DESCRIPTION	QTY	REMARKS
1	18450-06G00	VALVE ASSY, 2ND AIR REED	2	
2	18531-06G01	COVER, 2ND AIR REED VALVE	2	
3	09103-06217	BOLT	4	
4	18461-06G00	HOSE, 2ND AIR VALVE FRONT	1	
5	18471-06G00	HOSE, 2ND AIR VALVE REAR	1	
6	09401-15101	CLIP	6	
7-1	18510-06G00	VALVE ASSY, AIR CUT	1	E2, E19
7-2	18510-35F00	VALVE ASSY, AIR CUT	1	E24, P37
8	18517-06G10	CUSHION, 2ND AIR CLEANER	1	E24, P37
9-1	18711-06G00	HOSE, 2ND AIR CLEANER	1	E2, E19
9-2	18711-06G10	HOSE, 2ND AIR CLEANER	1	E24, P37
10	13697-02A00	HOSE, 2ND AIR VALVE VACUUM	1	E24, P37
11	18610-06G00	BRACKET, 2ND AIR VALVE	1	
12	03542-06123	SCREW	2	
13	09404-06429	CLAMP	1	E2, E19

WWW.VSTROM.FORO.ST



FIG.22

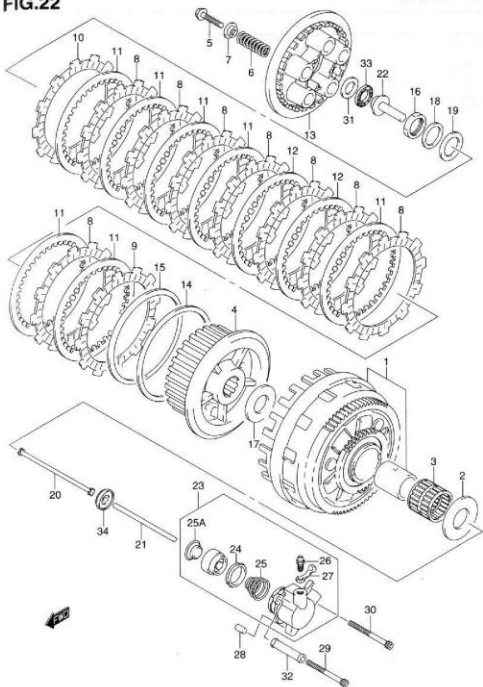


FIG.22 (E-2) CLUTCH

REF NO.	PART NO.	DESCRIPTION	QTY	REMARKS
1	21200-06811	GEAR ASSY, PRIMARY DRIVEN	1	NT.57, ←21200-06810
2	09160-25074	WASHER (25X52X2.5)	1	
3	09263-35013	BEARING (35X40X39.8)	1	
4	21410-06G00	HUB, CLUTCH SLEEVE	1	
5	21412-06G00	BOLT, SPRING SUPPORT	5	
6-1	21413-06G00	SPRING, CLUTCH	5	MODEL K2/K3
6-2	21413-06G10	SPRING, CLUTCH	5	MODEL K4
7	21414-29F00	WASHER	5	
8	21441-24F20	PLATE, CLUTCH DRIVE NO.1	8	126X161X2.8
9	21442-24F00	PLATE, CLUTCH DRIVE NO.2	1	135X161X3.7
10	21441-24F10	PLATE, CLUTCH DRIVE NO.3	1	127X161X3.7
11	21451-24F00	PLATE, CLUTCH DRIVEN	7	T:2.0
12	21451-24F10	PLATE, CLUTCH DRIVEN	2	T:2.3
13	21462-06G00	DISK, CLUTCH PRESSURE	1	
14	21471-06G00	SEAT, WAVE WASHER	1	
15	21472-06G00	WASHER, CLUTCH PLATE WAVE	1	
16	09159-24010	NUT, CLUTCH SLEEVE HUB	1	
17	09160-25056	WASHER, CLUTCH SLEEVE	1	25X50X2.5
18	09164-24006	WASHER, CLUTCH SLEEVE	1	24.2X35X2
19	09181-25223	WASHER, SLEEVE HUB NUT	1	25X38X1.0
20	23110-27A00	ROD, CLUTCH PUSH RH	1	
21	23111-26D00	ROD, CLUTCH PUSH LH	1	
22	23121-31E00	PIECE, CLUTCH PUSH	1	
23	23160-06G01	CYLINDER, CLUTCH RELEASE	1	←23160-06G00
24	23163-06B00	·CUP	1	
25	23164-05A00	·SPRING	1	
25A	23166-02F20	·COVER, DUST	1	
26	59121-01A00	·BLEEDER	1	
27	59122-01A00	·CAP, BLEEDER	1	
28	04221-08149	PIN, CLUTCH RELEASE CYLINDER	1	
29	07130-06653	BOLT, CLUTCH RELEASE CYLINDER	1	
30	07130-06703	BOLT, CLUTCH RELEASE CYLINDER	1	

FIG.22

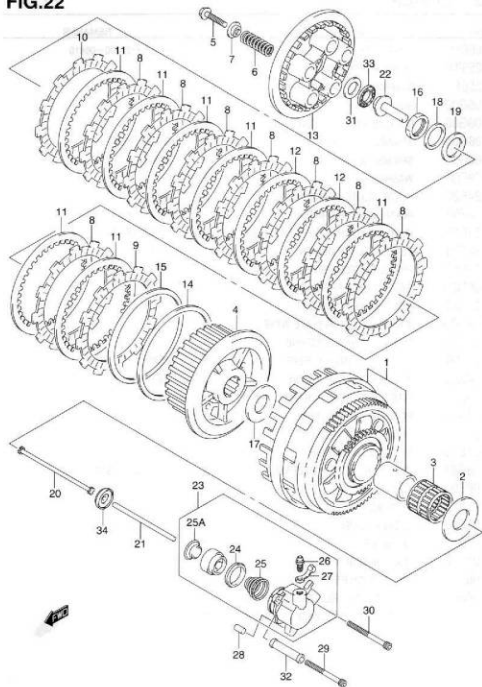


FIG.22 (E-3) CLUTCH

REF NO.	PART NO.	DESCRIPTION	QTY	REMARKS
31	09160-15045	WASHER, CLUTCH PUSH	1	15.5X28X1
32	23171-06G00	SPACER, CLUTCH RELEASE	1	
33	09263-15003	BEARING, CLUTCH PUSH	1	15X28X2
34	09283-06008	SEAL, CLUTCH PUSH (6X34X10.5)	1	

FIG.23

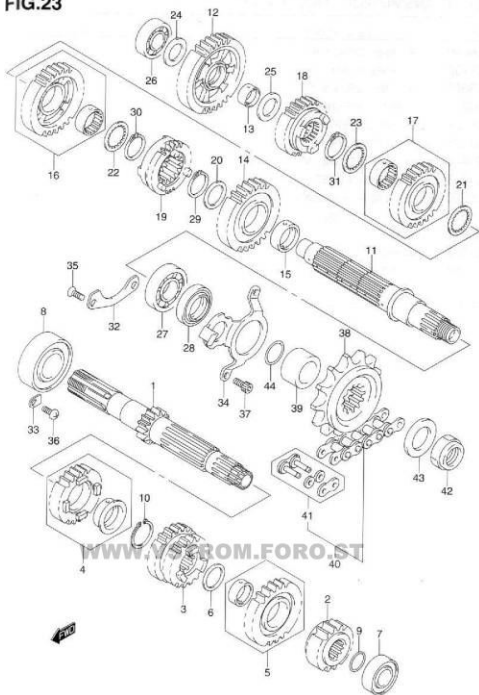


FIG.23 (E-4) TRANSMISSION (MODEL K2/K3)

REF NO.	PART NO.	DESCRIPTION	QTY	REMARKS
1	24120-06G00	SHAFT, COUNTER (NT:12)	1	
2	24221-02F01	GEAR, 2ND DRIVE (NT:15)	1	
3	24231-02F13	GEAR, 3RD & 4TH DRIVE	1	NT:18/27
4	24251-02B11	GEAR SET, 5TH DRIVE (NT:23)	1	←24251-02B10
5	24261-02B20	GEAR SET, 6TH DRIVE (NT:23)	1	
6	09181-22167	WASHER, 6TH DRIVE	1	22X30X1.0
7	09262-20139	BEARING, CENTER SHAFT LH	1	20X47X14
8	09262-25073	BEARING, CENTER SHAFT RH	1	25X62X17
9	09280-17004	O RING, CENTER SHAFT	1	D:1.9, ID:16.6
10	09380-27001	CIRCLIP, 5TH DRIVE	1	
11	24130-02F10	SHAFT, DRIVE	1	
12	24311-06G00	GEAR, 1ST DRIVEN (NT:36)	1	
13	24312-02F00	BUSH, 1ST DRIVEN	1	
14	24321-02F11	GEAR, 2ND DRIVEN (NT:29)	1	
15	24322-02F01	BUSH, 2ND DRIVEN	1	
16	24331-02B11	GEAR SET, 3RD DRIVEN (NT:27)	1	←24331-02B10
17	24341-02B11	GEAR SET, 4TH DRIVEN (NT:27)	1	←24341-02B10
18	24351-02F13	GEAR, 5TH DRIVEN (NT:25)	1	
19	24361-06G00	GEAR, 6TH DRIVEN (NT:21)	1	
20	09160-27008	WASHER, 2ND DRIVEN GEAR	1	27X36X1
21	09167-27002	WASHER, 3RD & 4TH DRIVEN	1	27X36X2
22	24333-02F00	WASHER, 3RD DRIVEN	1	
23	24333-02F00	WASHER, 4TH DRIVEN	1	
24	09181-20251	WASHER, 1ST DRIVEN RH	1	20X34X1
25	09181-22223	WASHER, 1ST DRIVEN LH	1	22X34X1
26	09262-20082	BEARING, DRIVE SHAFT RH	1	20X52X15
27	09262-28040	BEARING, DRIVE SHAFT LH	1	28X68X20
28	09283-38020	SEAL, DRIVE SHAFT	1	38X52X8
29	09380-27001	CIRCLIP, 2ND DRIVEN	1	
30	09380-27001	CIRCLIP, 3RD DRIVEN	1	
31	09380-27001	CIRCLIP, 4TH DRIVEN	1	

REFER TO FIG.23A (E-6) FOR MODEL K4

FIG.23

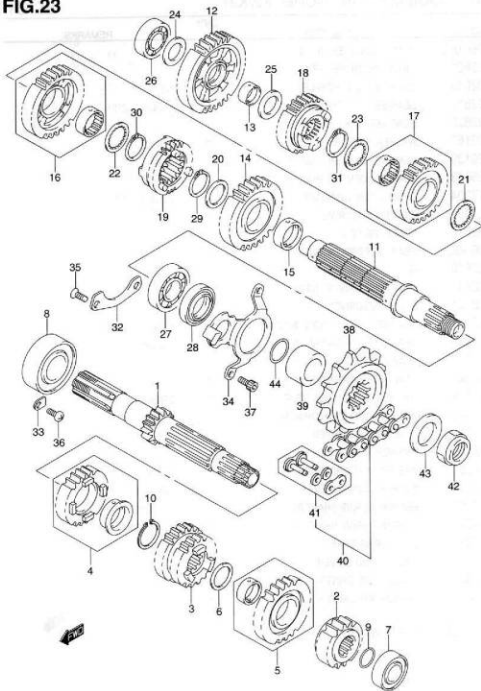


FIG.23 (E-5) TRANSMISSION (MODEL K2/K3)

REF NO.	PART NO.	DESCRIPTION	QTY	REMARKS
32	24741-06G00	RETAINER, DRIVE SHAFT	1	
33	24741-21A00	RETAINER, CENTER SHAFT	1	
34	24751-06G00	RETAINER, DRIVE SHAFT	1	
35	09126-06D11	SCREW, DRIVE SHAFT (6X12)	2	
36	02112-06123	SCREW, CENTER SHAFT	1	
37	07130-06123	BOLT, DRIVE SHAFT OIL	2	
38	27510-20A20	SPROCKET, ENGINE (NT:17)	1	
39	27531-24B13	SPACER, SPROCKET	1	
40	27600-06G00-112	CHAIN ASSY (RK525SMOZ7)	1	
41	27620-06G00	-JOINT SET, CHAIN	1	
42	09159-20004	NUT	1	
43	09160-25009	WASHER (25X41X3)	1	
44	09280-24010	O RING (D:2.4, ID:23.7)	1	

REFER TO FIG.23A (E-6) FOR MODEL K4

FIG.23A

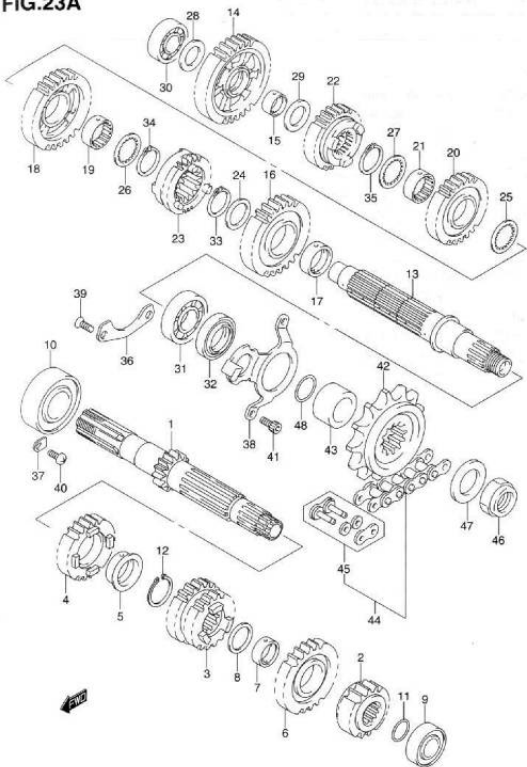


FIG.23A (E-6) TRANSMISSION (MODEL K4)

REF NO.	PART NO.	DESCRIPTION	QTY	REMARKS
1	24120-06G00	SHAFT, COUNTER (NT:12)	1	
2	24221-02F01	GEAR, 2ND DRIVE (NT:15)	1	
3	24231-02F20	GEAR, 3RD & 4TH DRIVE	1	NT:18/27
4	24251-02F11	GEAR, 5TH DRIVE (NT:23)	1	
5	24252-02F10	BUSH, 5TH DRIVE GEAR	1	
6	24261-06G00	GEAR, 6TH DRIVE (NT:23)	1	
7	24262-02F00	BUSH, 6TH DRIVE GEAR	1	
8	09181-22167	WASHER, 6TH DRIVE	1	22X30X1.0
9	09262-20139	BEARING, CENTER SHAFT LH	1	20X47X14
10	09262-25073	BEARING, CENTER SHAFT RH	1	25X62X17
11	09280-17004	O RING, CENTER SHAFT	1	D:1.9, ID:16.6
12	09380-27001	CIRCLIP, 5TH DRIVE	1	
13	24130-02F10	SHAFT, DRIVE	1	
14	24311-06G00	GEAR, 1ST DRIVEN (NT:36)	1	
15	24312-02F00	BUSH, 1ST DRIVEN	1	
16	24321-02F11	GEAR, 2ND DRIVEN (NT:29)	1	
17	24322-02F01	BUSH, 2ND DRIVEN	1	
18	24331-02F12	GEAR, 3RD DRIVEN (NT:27)	1	
19	24332-17E20	BUSH, 3RD DRIVEN GEAR	1	
20	24341-02F20	GEAR, 4TH DRIVEN (NT:27)	1	
21	24332-17E20	BUSH, 4TH DRIVEN GEAR	1	
22	24351-02F13	GEAR, 5TH DRIVEN (NT:25)	1	
23	24361-06G00	GEAR, 6TH DRIVEN (NT:21)	1	
24	09160-27008	WASHER, 2ND DRIVEN GEAR	1	27X36X1
25	09167-27002	WASHER, 3RD & 4TH DRIVEN	1	27X36X2
26	24333-02F00	WASHER, 3RD DRIVEN	1	
27	24333-02F00	WASHER, 4TH DRIVEN	1	
28	09181-20251	WASHER, 1ST DRIVEN RH	1	20X34X1
29	09181-22223	WASHER, 1ST DRIVEN LH	1	22X34X1

FIG.23A

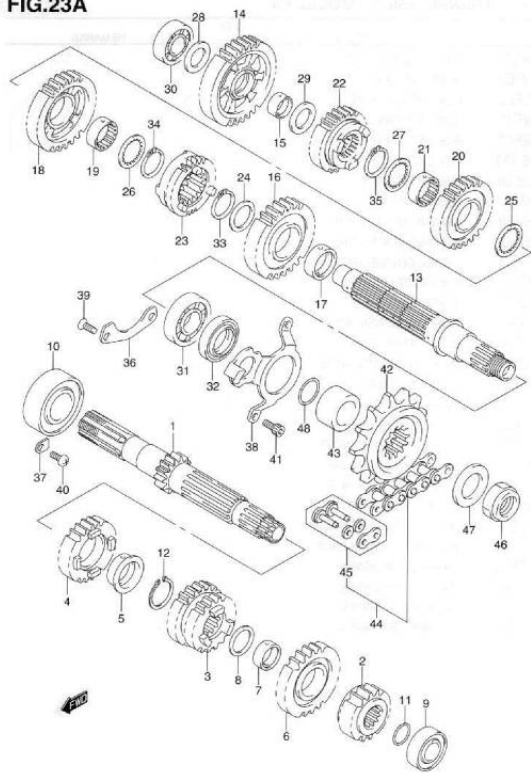


FIG.23A (E-7) TRANSMISSION (MODEL K4)

REF NO	PART NO	DESCRIPTION	QTY	REMARKS
30	09262-20082	BEARING, DRIVE SHAFT RH	1	20X52X15
31	09262-28040	BEARING, DRIVE SHAFT LH	1	28X68X20
32	09283-38020	SEAL, DRIVE SHAFT	1	38X52X8
33	09380-27001	CIRCLIP, 2ND DRIVEN	1	
34	09380-27001	CIRCLIP, 3RD DRIVEN	1	
35	09380-27001	CIRCLIP, 4TH DRIVEN	1	
36	24741-06G00	RETAINER, DRIVE SHAFT	1	
37	24741-21A00	RETAINER, CENTER SHAFT	1	
38	24751-06G00	RETAINER, DRIVE SHAFT	1	
39	09126-06011	SCREW, DRIVE SHAFT (6X12)	2	
40	02112-06123	SCREW, CENTER SHAFT	1	
41	07130-06123	BOLT, DRIVE SHAFT OIL	2	
42	27510-20A20	SPROCKET, ENGINE (NT:17)	1	
43	27531-24B13	SPACER, SPROCKET	1	
44	27600-06G00-112	CHAIN ASSY (RKS25SMOZ7)	1	
45	27620-06G00	JOINT SET, CHAIN	1	
46	09159-20004	NUT	1	
47	09160-25009	WASHER (25X41X3)	1	
48	09260-24010	O RING (D:2.4, ID:23.7)	1	

FIG.24

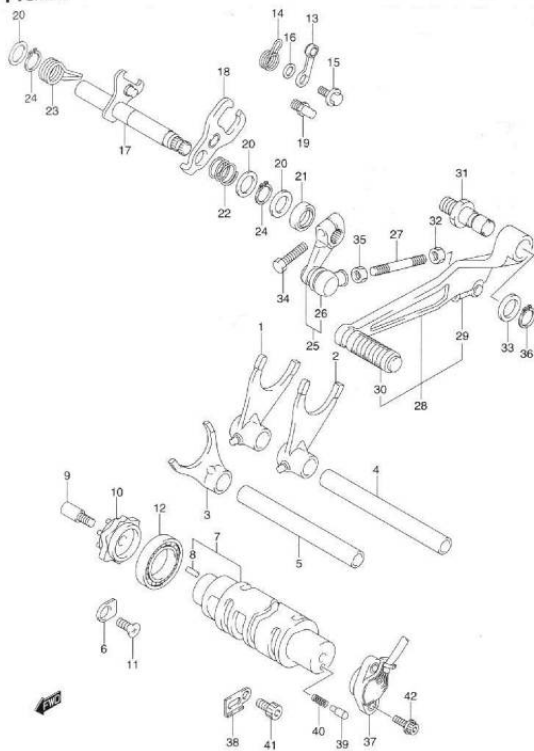


FIG.24 (E-8) GEAR SHIFTING

REF NO.	PART NO.	DESCRIPTION	QTY	REMARKS
1	25211-17E01	FORK, GEAR SHIFT NO.2	1	
2	25211-35F00	FORK, GEAR SHIFT NO.1	1	
3	25231-35F00	FORK, GEAR SHIFT NO.3	1	
4	25411-02F20	SHAFT, GEAR SHIFT FORK NO.2	1	
5	25411-02F20	SHAFT, GEAR SHIFT FORK NO.1	1	
6	24741-21A00	RETAINER, SHIFT CAM	2	
7	25310-02F10	CAM, GEAR SHIFT	1	
8	04221-04089	-PIN, SHIFT CAM	1	
9	25312-12C00	STOPPER, SHIFT CAM	1	
10-1	25381-13E10	PLATE, GEAR SHIFT	1	MODEL K2/K3
10-2	25381-13E00	PLATE, GEAR SHIFT	1	MODEL K4
11	09125-06110	SCREW, SHIFT CAM, 6X12	2	
12	08113-69050	BEARING, SHIFT CAM	1	
13	25350-06G00	STOPPER, SHIFT CAM	1	
14-1	25355-13E00	SPRING, STOPPER ARM	1	MODEL K2/K3
14-2	25355-38F00	SPRING, STOPPER ARM	1	MODEL K4
15	09111-06041	BOLT (6X14.3)	1	
16	08211-06141	WASHER	1	
17-1	25510-06G00	SHAFT, GEAR SHIFT	1	MODEL K2/K3
17-2	25510-06G10	SHAFT, GEAR SHIFT	1	MODEL K4
18	25512-06G00	PLATE, GEAR SHIFT	1	
19	25671-01011	STOPPER, GEAR SHIFT	1	
20	09181-14167	WASHER, GEAR SHIFT RH	3	14X22X1.0
21	09283-14006	SEAL, SHIFT SHAFT OIL	1	14X22X6.0
22	09440-17009	SPRING, GEAR SHIFT PLATE	1	
23	09444-20001	SPRING, SHIFT SHAFT	1	
24	08331-31146	CIRCLIP, GEAR SHIFT	2	
25	25520-06G00	ARM, GEAR SHIFT LINK	1	
26	25526-47000	-COVER, DUST	1	
27	25525-43510	ROD, GEAR SHIFT LINK	1	
28-1	25600-06G00	LEVER ASSY, GEAR SHIFT	1	MODEL K2/K3
28-2	25600-06G10	LEVER ASSY, GEAR SHIFT	1	MODEL K4
29	25526-47000	-COVER, DUST	1	
30	25652-20C00	-RUBBER	1	

2

FIG.24

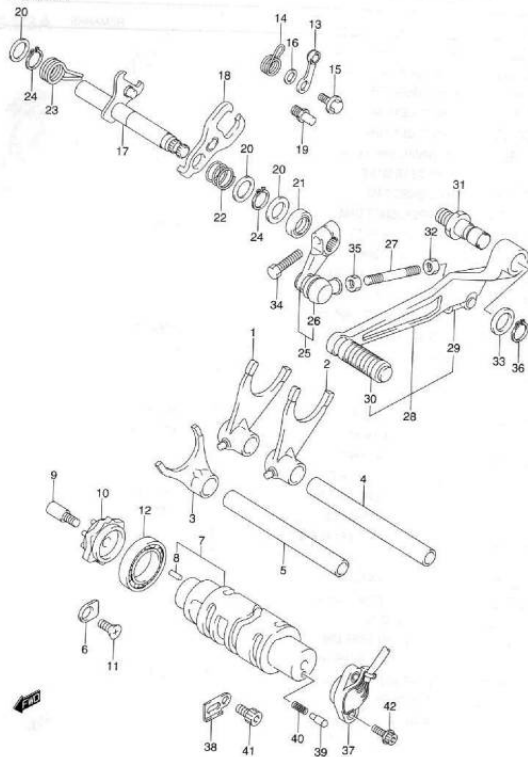


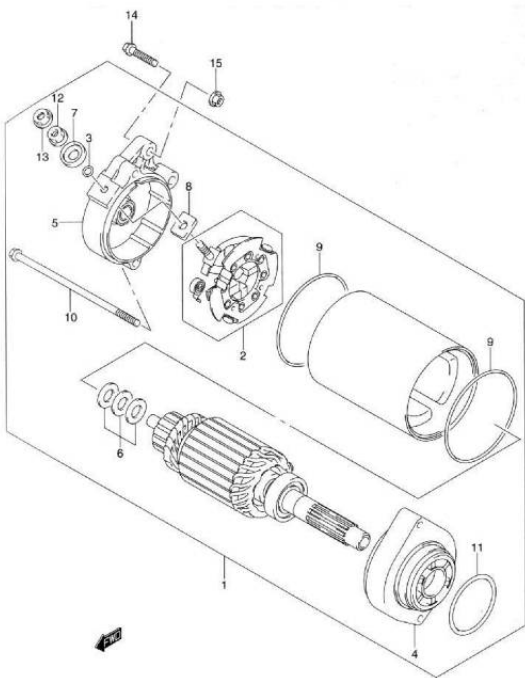
FIG.24 (E-9) GEAR SHIFTING

REF NO.	PART NO.	DESCRIPTION	QTY	REMARKS
31	25617-03F00	SHAFT, GEAR SHIFT LEVER	1	
32	09140-06025	NUT	1	
33	09160-12011	WASHER (12.5X20X1)	1	
34	01500-06203	BOLT	1	
35	08310-00067	NUT	1	
36	08331-31126	CIRCLIP	1	
37	37730-06G00	BASE ASSY, GEAR SHIFT TERM	1	
38	31497-45000	CLAMP, GEAR SHIFT	1	
39	09209-05011	CONTACT, GEAR SHIFT	1	
40	09440-04010	SPRING, GEAR SHIFT SW	1	
41	07130-05103	SCREW, CLAMP	1	
42	07120-05163	SCREW, GEAR SHIFT SW	2	

FIG.25

FIG.25 (F-2) STARTING MOTOR

DL1000K2



REF NO.	PART NO.	DESCRIPTION	QTY	REMARKS
1	31100-06G00	MOTOR ASSY, STARTING	1	
2	31132-45C00	·HOLDER SET, BRUSH	1	
3	31143-38300	·O RING	1	
4	31150-44B10	·HOUSING	1	
5	31170-02F10	·FRAME	1	
6	31170-43400	·SHIM SET	1	
7	31172-38300	·BUSHING	1	
8	31173-88C00	·BUSHING	1	
9	31264-44110	·O RING	2	
10	31281-24B10	·BOLT	2	
11	31156-48B00	·O RING	1	
12	08310-00067	·NUT	1	
13	08361-35068	·NUT	1	
14	09103-06212	BOLT (6X25)	2	
15	08361-35068	NUT	1	

3

FIG.26

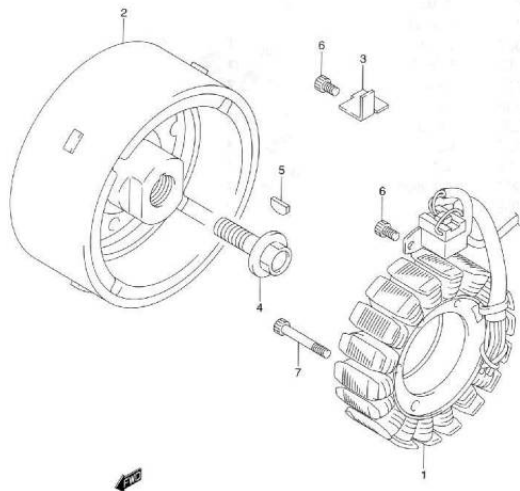


FIG.26 (F-3) MAGNETO

REF NO.	PART NO.	DESCRIPTION	QTY	REMARKS
1-1	32101-06G00	STATOR ASSY	1	MODEL K2
1-2	32101-06G10	STATOR ASSY	1	MODEL K3/K4
2-1	32102-06G00	ROTOR ASSY	1	MODEL K2
2-2	32102-06G10	ROTOR ASSY	1	MODEL K3/K4
3	32371-13E00	CLAMP, MAGNETO	1	
4	32491-06G00	BOLT, ROTOR	1	
5	09420-04008	KEY	1	
6	07130-05103	BOLT, PICK UP	3	
7	07130-06353	BOLT, STATOR	3	

3

FIG.27

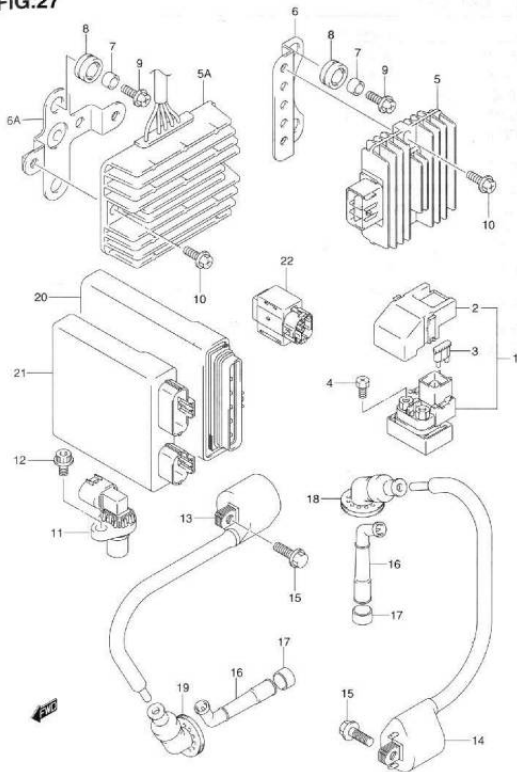


FIG.27 (F-4) ELECTRICAL

REF. NO.	PART NO.	DESCRIPTION	QTY	REMARKS
1	31800-06G00	RELAY ASSY, STARTING	1	
2	31861-47E00	COVER, RELAY ASSY	1	←31861-21E20
3	09481-30101	FUSE, 30A	2	
4	09128-06013	BOLT (6X8)	2	
5	32800-42F00	RECTIFIER ASSY	1	MODEL K2
5A	32800-06G00	RECTIFIER ASSY	1	MODEL K3/K4
6	32831-06G00	BRACKET, RECTIFIER	1	MODEL K2
6A	32831-06G10	BRACKET, RECTIFIER	1	MODEL K3/K4
7	09180-06258	SPACER (6.5X9X6.7)	2	
8	09320-09036	CUSHION	2	
9	02162-06203	BOLT, BRACKET	2	
10	02162-06203	BOLT, RECTIFIER	2	
11	33220-80G00	SENSOR ASSY, CAM POSITION	1	
12	07130-06163	BOLT	1	
13	33410-06G00	COIL ASSY, IGNITION	1	
14	33420-06G00	COIL ASSY, IGNITION	1	
15	01547-06203	BOLT	4	
16-1	33510-11D00	CAP ASSY, SPARK PLUG	2	MODEL K2/K3
16-2	33510-17G00	CAP ASSY, SPARK PLUG	2	MODEL K4
17	33541-23E01	SEAL, SPARK PLUG CAP	2	
18	33542-06G00	SEAL, HIGH TENSION CORD, RR	1	
19	33542-06G10	SEAL, HIGH TENSION CORD, FR	1	
20-1	32920-06G00	CONTROL UNIT, FI	1	MODEL K2/K3 E2, E19
20-2	32920-06G10	CONTROL UNIT, FI	1	MODEL K2/K3 E24
20-3	32920-06G30	CONTROL UNIT, FI	1	MODEL K2 P37
21-1	32920-06G40	CONTROL UNIT, FI	1	MODEL K4 E2, E19
21-2	32920-06G50	CONTROL UNIT, FI	1	MODEL K4 E24
22-1	33960-06G00	SENSOR ASSY, FUEL CUT	1	MODEL K2
22-2	33960-06G10	SENSOR ASSY, FUEL CUT	1	MODEL K3/K4

FIG.28

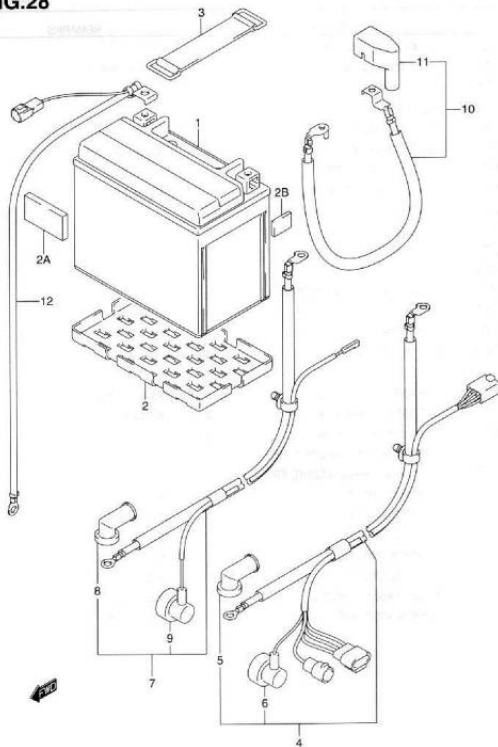


FIG.28 (F-5) BATTERY

REF NO.	PART NO.	DESCRIPTION	QTY	REMARKS
1	33610-26D10	BATTERY ASSY	1	YTX14-BS, 12V12AH
2-1	33652-05G00	PROTECTOR, BATTERY	1	MODEL K2/K3
2-2	33652-16G00	PROTECTOR, BATTERY	1	MODEL K4
2A	33652-28010	PROTECTOR, BATTERY	1	20X45X6
2B	33651-37000	PROTECTOR, BATTERY (170X95X3)	1	MODEL K4 CUT AS REQUIRED PROFILE (12X20)
3	09462-00007	BAND, BATTERY	1	
4	33810-06G00	WIRE, STARTER MOTOR LEAD	1	
5	31861-48B10	-CAP, STARTER MOTOR	1	
6	36618-43410	-CAP, OIL PRESSURE	1	
7	33810-06G10	WIRE, STARTER MOTOR LEAD	1	E24
8	31861-48B10	-CAP, STARTER MOTOR	1	E24
9	36618-43410	-CAP, OIL PRESSURE	1	E24
10	33820-06G00	WIRE, BATTERY PLUS LEAD	1	
11	33624-38400	-CAP, BATTERY PLUG	1	
12	33860-06G00	WIRE, BATTERY MINUS	1	

FIG.29

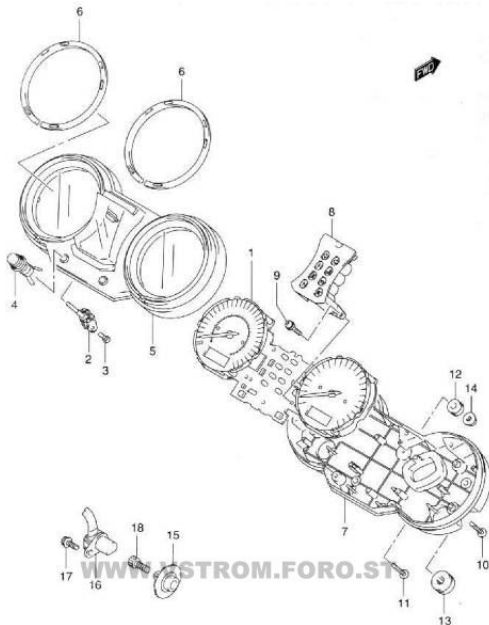


FIG.29 (G-2) SPEEDOMETER (MODEL K2/K3)

REF. NO.	PART NO.	DESCRIPTION	QTY	REMARKS
1-1	34120-06G10	SPEEDOMETER (MILE/KILO)	1	MODEL K2
1-2	34120-06G40	SPEEDOMETER (MILE/KILO)	1	MODEL K3
1-3	34120-06G00	SPEEDOMETER (KILO)	1	MODEL K2 E19, E24, P37
1-4	34120-06G30	SPEEDOMETER (KILO)	1	MODEL K3 E19, E24, P37
2	34123-06G00	SWITCH LEVER	2	
3	34183-06G00	SCREW (3X10)	4	
4	34124-06G00	SWITCH GUM	2	
5	34150-06G00	UPPER CASE	1	
6	34188-06G00	DAMPER	2	
7	34111-06G00	LOWER CASE	1	
8	34165-06G00	INNER CASE	1	
9	34149-31F10	SCREW (3X14)	2	
10	09132-03008	SCREW (3X16)	7	
11	34383-31F10	SCREW (3X16)	3	
12	34189-32B00	CUSHION, METER NO.1	1	
13	34955-13E00	CUSHION, METER NO.2	2	
14	09159-05044	NUT	1	
15	34981-35F00	ROTOR, SPEED	1	
16	34990-47F00	SENSOR, SPEED	1	
17	07120-05103	BOLT, SPEED SENSOR	1	
18	07130-08253	BOLT, SPEED ROTOR	1	

REFER TO FIG.29A (G-3) FOR MODEL K4

FIG.29A

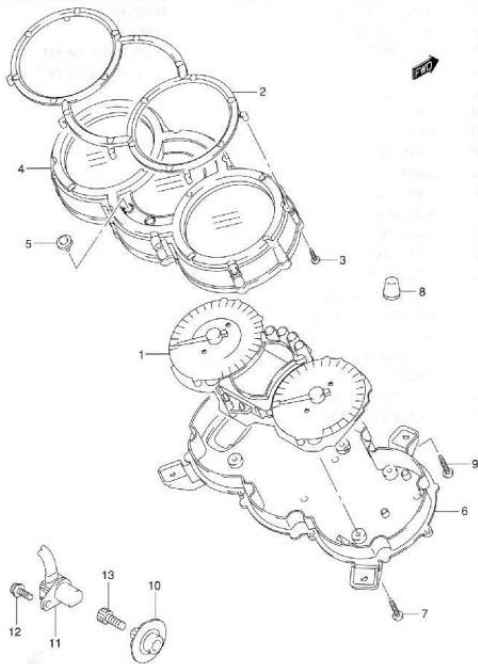


FIG.29A (G-3) SPEEDOMETER (MODEL K4)

REF NO.	PART NO.	DESCRIPTION	QTY	REMARKS
1-1	34120-06G60	SPEEDOMETER (MILE/KILO)	1	
1-2	34120-06G50	SPEEDOMETER (KILO)	1	E19, E24
2	34193-06G50	RING	1	
3	34183-31F10	SCREW	8	
4	34150-27G00	CASE, UPPER	1	
5	34124-24F00	KNOB	2	
6	34111-27G00	CASE, LOWER	1	
7	09132-03008	SCREW (3X16)	14	
8	34955-10G00	CUSHION, SPEEDOMETER	2	
9	03541-05203	SCREW	4	
10	34981-35F00	ROTOR, SPEED	1	
11	34990-47F00	SENSOR, SPEED	1	
12	07120-05103	BOLT, SPEED SENSOR	1	
13	07130-08253	BOLT, SPEED ROTOR	1	

3

FIG.30

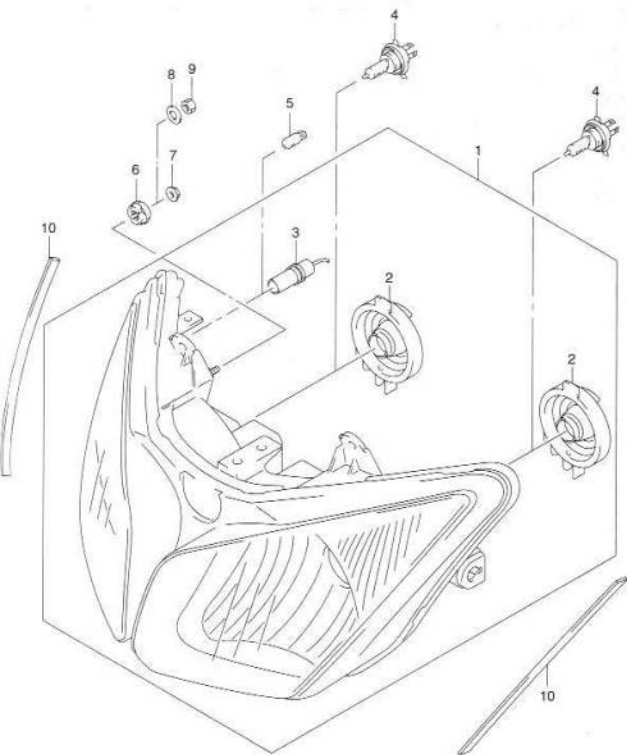


FIG.30 (G-4) HEADLAMP

REF NO.	PART NO.	DESCRIPTION	QTY	REMARKS
1	35100-06G20-999	HEADLAMP ASSY	1	
2	35125-77A00	-SOCKET, COVER	2	
3	36118-06G50	-CORE ASSY	1	
4	09471-12182	BULB (12V, 60/55W, H4)	2	
5	09471-12216	BULB (12V, 5W)	1	
6	09320-09010	CUSHION	4	
7	09159-06086	NUT	4	MODEL K2/K3
8	09160-06088	WASHER, 6.5X20X1.6	4	MODEL K4
9	08310-00063	NUT	4	MODEL K4
10	33652-06G10	CUSHION, HEADLAMP	2	

REFER TO FIG.30A (G-5) FOR E19, P37
 REFER TO FIG.30B (G-6) FOR E24

FIG.30A

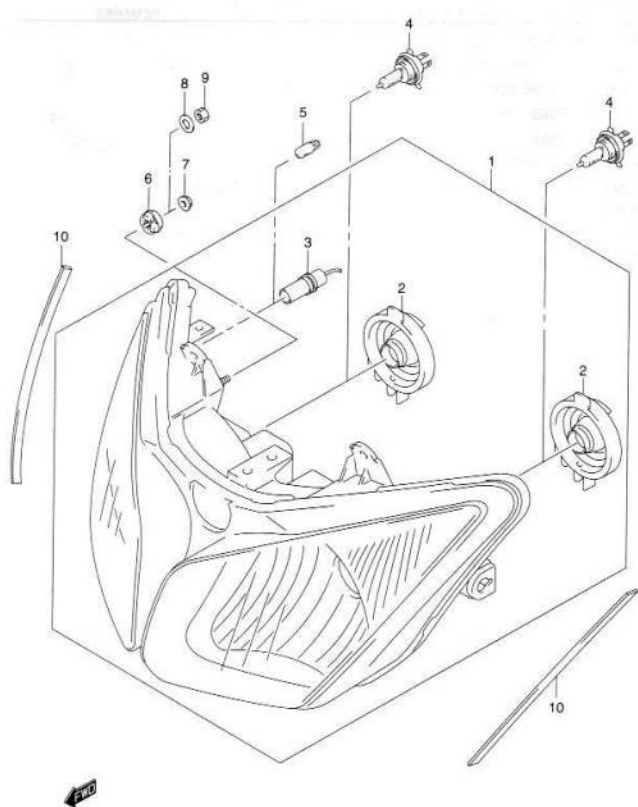


FIG.30A (G-5) HEADLAMP (E19, P37)

REF NO.	PART NO.	DESCRIPTION	QTY	REMARKS
1	35100-06G50-999	HEADLAMP ASSY	1	
2	35125-77A00	·SOCKET, COVER	2	
3	36118-06G50	·CORD ASSY	1	
4	09471-12182	BULB (12V,60/55W, H4)	2	
5	09471-12216	BULB (12V,5W)	1	
6	09320-09010	CUSHION	4	
7	09159-06086	NUT	4	MODEL K2/K3
8	09160-06088	WASHER, 6.5X20X1.6	4	MODEL K4
9	08310-00063	NUT	4	MODEL K4
10	33652-06G10	CUSHION, HEADLAMP	2	

REFER TO FIG.30B (G-6) FOR E24

3

FIG.30B

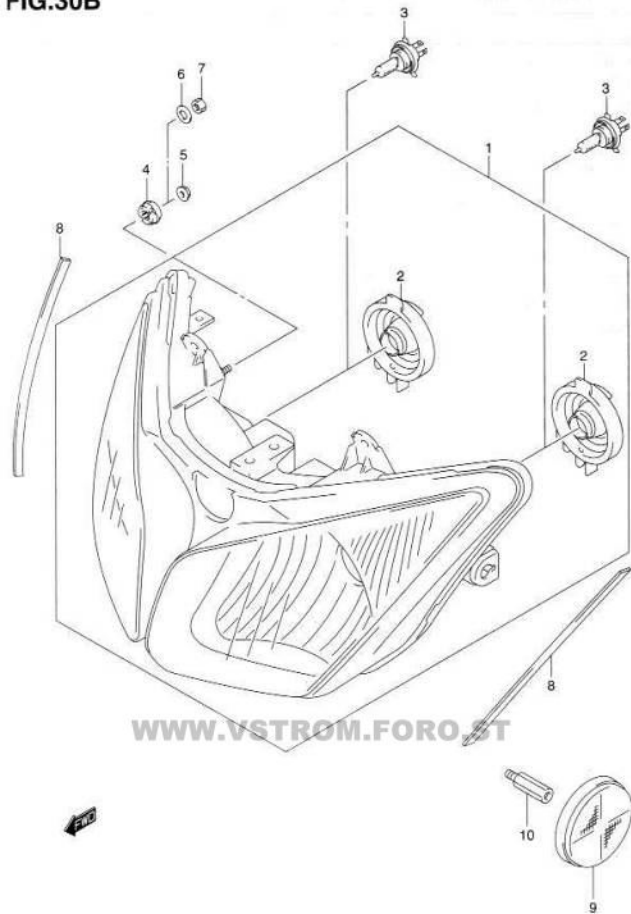


FIG.30B (G-6) HEADLAMP (E24)

REF NO.	PART NO.	DESCRIPTION	QTY	REMARKS
1	35100-06G30-999	HEADLAMP ASSY	1	
2	35125-77A00	-SOCKET, COVER	2	
3	09471-12182	BULB (12V, 60/55W, H4)	2	
4	09320-09010	CUSHION	4	
5	09159-06086	NUT	4	MODEL K2/K3
6	09160-06088	WASHER, 6.5X20X1.6	4	MODEL K4
7	08310-00063	NUT	4	MODEL K4
8	33652-06G10	CUSHION, HEADLAMP	2	
9	35950-14A00	REFLEX REFLECTOR ASSY, FRONT	2	
10	09119-05023	BOLT	2	

FIG.31

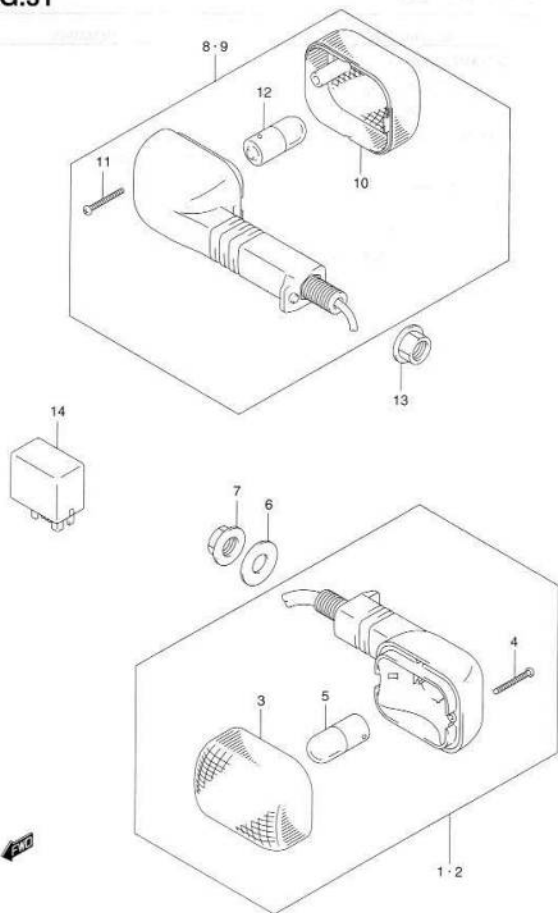


FIG.31 (G-7) TURNSIGNAL LAMP (MODEL K2/K3)

REF NO.	PART NO.	DESCRIPTION	QTY	REMARKS
1-1	35601-06G00	LAMP ASSY. FRONT TURNSIGNAL RH	1	
1-2	35601-06G30	LAMP ASSY. FRONT TURNSIGNAL RH	1	E24
2-1	35602-06G00	LAMP ASSY. FRONT TURNSIGNAL LH	1	
2-2	35602-06G30	LAMP ASSY. FRONT TURNSIGNAL LH	1	E24
3	35612-06G00	•LENS	2	
4	35623-06G00	•SCREW	2	
5	09471-12177	•BULB(12V,10W)	2	
6	09160-12092	WASHER	2	
7	08316-10123	NUT	2	
8	35601-06G00	LAMP ASSY. REAR TURNSIGNAL RH	1	
9	35602-06G00	LAMP ASSY. REAR TURNSIGNAL LH	1	
10	35612-06G00	•LENS	2	
11	35623-06G00	•SCREW	2	
12	09471-12177	•BULB (12V,10W)	2	
13	08316-10123	NUT	2	
14	38610-12FA0	RELAY ASSY, TURNSIGNAL LAMP	1	

REFER TO FIG.31A (G-8) FOR MODEL K4

FIG.31A

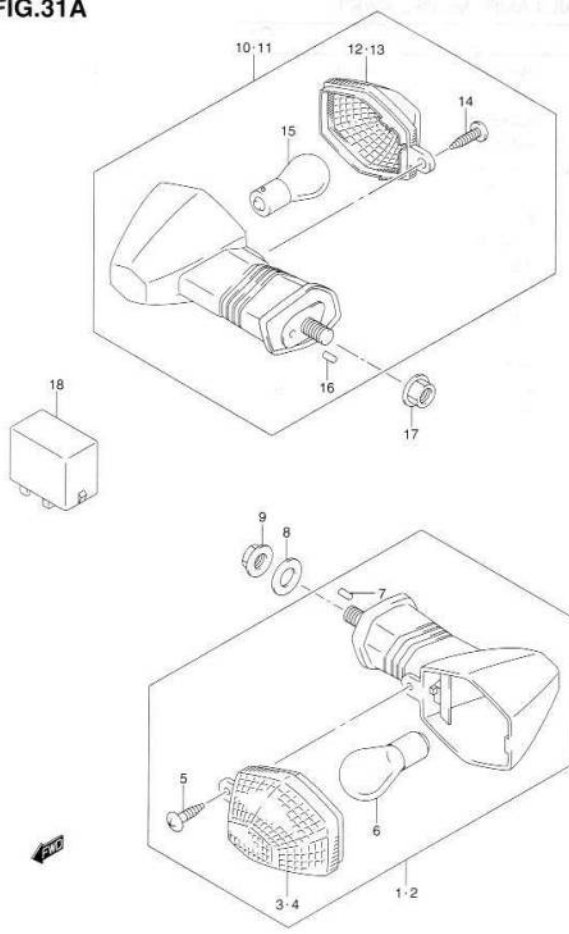


FIG.31A (G-8) TURNSIGNAL LAMP (MODEL K4)

REF NO.	PART NO.	DESCRIPTION	QTY	REMARKS
1	35601-27G00	LAMP ASSY, FRONT TURNSIGNAL RH	1	
2	35602-27G00	LAMP ASSY, FRONT TURNSIGNAL LH	1	
3	35612-31F30	-LENS	2	
4	35632-31F30	-LENS, LH	1	
5	03242-04163	-SCREW, RH	1	
6	09471-12045	-BULB(12V, 21W)	2	
7	09202-04017	-PIN	2	
8	09160-12092	WASHER	2	
9	08316-10123	NUT	2	
10	35603-06G10	LAMP ASSY, REAR TURNSIGNAL RH	1	
11	35604-06G10	LAMP ASSY, REAR TURNSIGNAL LH	1	
12	35632-31F30	-LENS, RH	2	
13	35612-31F30	-LENS, LH	1	
14	03242-04163	-SCREW	2	
15	09471-12045	-BULB (12V, 21W)	2	
16	09202-04017	-PIN	2	
17	08316-10123	NUT	2	
18	38610-03F00	RELAY ASSY, TURNSIGNAL LAMP	1	

FIG.32

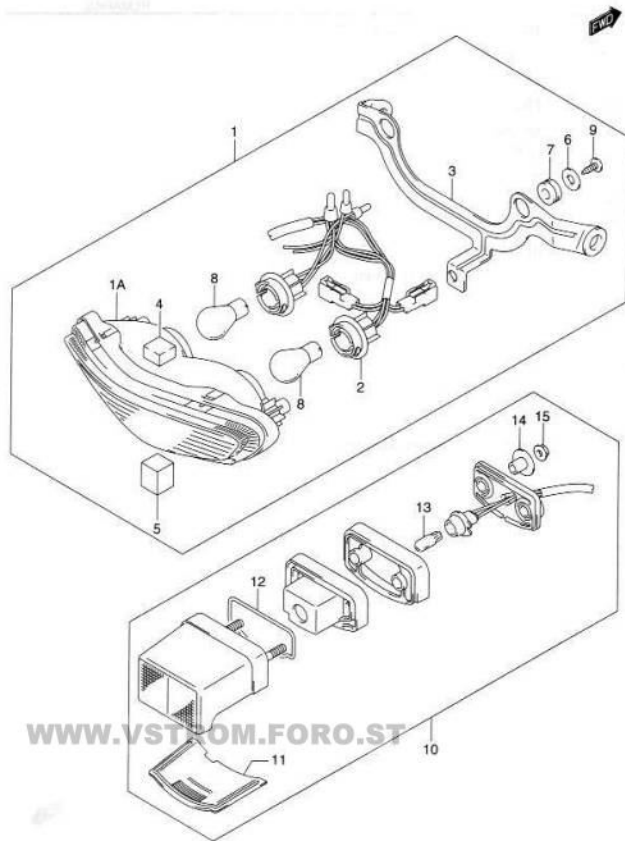


FIG.32 (G-9) TAIL LAMP (MODEL K2/K3)

REF NO.	PART NO.	DESCRIPTION	QTY	REMARKS
1	35710-06G00	LAMP ASSY, REAR COMBINATION	1	
1A	35720-06G00	-UNIT	1	COLOR : RED SMOKE
2	35718-06G00	-SOCKET & CORD	1	
3	35726-06G00	-BRACKET	1	
4	35734-06G00	-CUSHION, UPPER (20X20X12)	1	
5	35739-06G00	-CUSHION, LOWER (20X20X25)	1	
6	09160-05501	-WASHER (5.5X20X1.2)	2	
7	09320-10049	-CUSHION	2	
8	09471-12083	-BULB (12V, 21/5W)	2	
9	03242-05163	-SCREW	2	
10	35910-06G00	LAMP ASSY, LICENSE	1	
11	35912-08F00	-LENS	1	
12	35913-08F00	-GASKET	1	
13	09471-12081	-BULB (12V, 5W)	1	
14	35766-08F00	-SPACER	2	
15	08316-20063	-NUT	2	

REFER TO FIG.32A (G-10) FOR MODEL K4

3

WWW.VSTOM.FORO.ST

FIG.32A

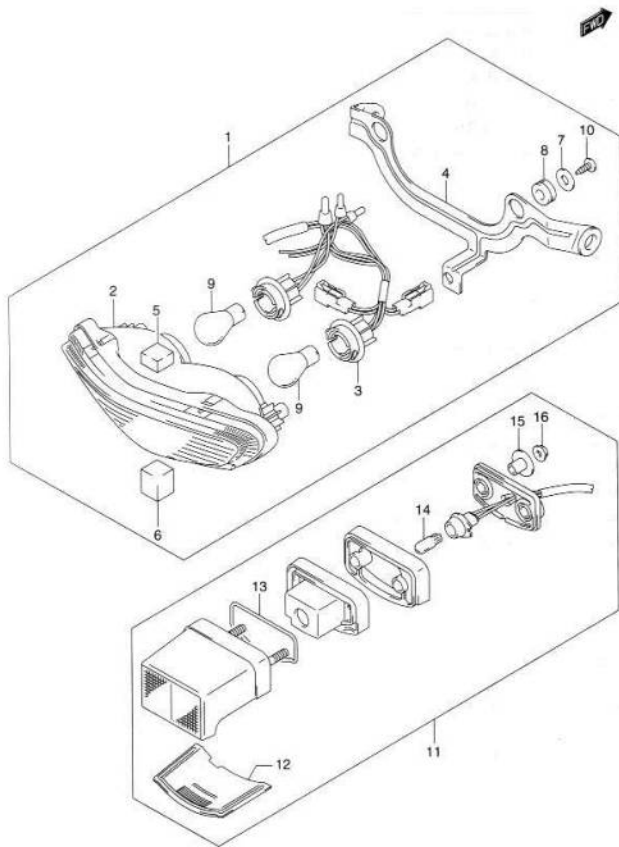


FIG.32A (G-10) TAIL LAMP (MODEL K4)

REF NO.	PART NO.	DESCRIPTION	QTY	REMARKS
1	35710-06G50	LAMP ASSY, REAR COMBINATION	1	
2	35720-06G00	•UNIT	1	COLOR : RED SMOKE
3	35718-06G50	•SOCKET & CORD	1	
4	35726-06G00	•BRACKET	1	
5	35734-06G00	•CUSHION, UPPER (20X20X12)	1	
6	35739-06G00	•CUSHION, LOWER (20X20X25)	1	
7	09160-05501	•WASHER (5.5X20X1.2)	2	
8	09320-10049	•CUSHION	2	
9	09471-12083	•BULB (12V, 21/5W)	2	
10	03242-05163	•SCREW	2	
11	35910-06G01	LAMP ASSY, LICENSE	1	
12	35912-08F00	•LENS	1	
13	35913-08F00	•GASKET	1	
14	09471-12216	•BULB (12V, 5W)	1	
15	35766-27G30	•SPACER	2	
16	08316-20063	•NUT	2	

3

FIG.33

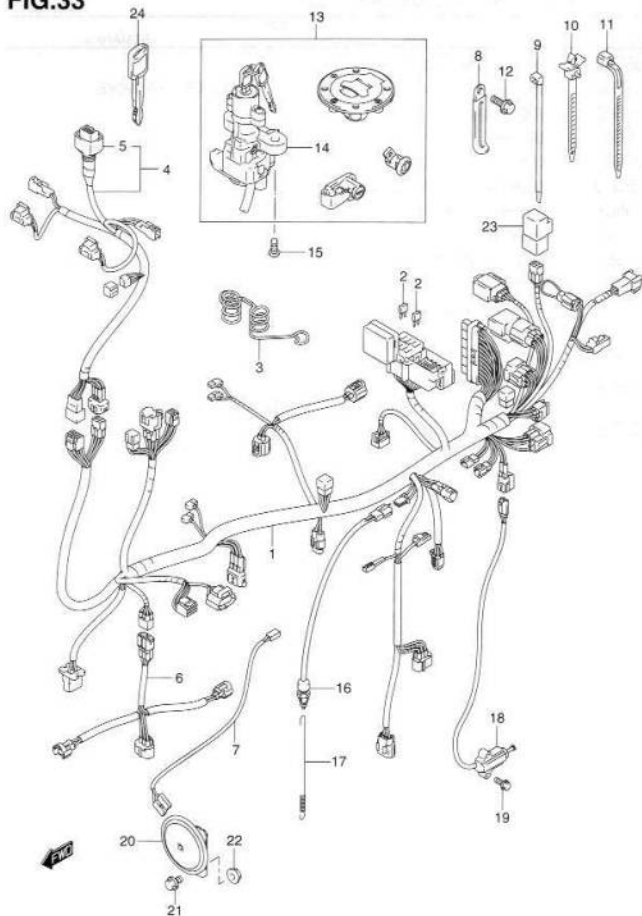


FIG.33 (G-11) WIRING HARNESS (MODEL K2)

REF NO.	PART NO.	DESCRIPTION	QTY	REMARKS
1-1	36610-06G00	HARNESS, WIRING NO.1	1	
1-2	36610-06G10	HARNESS, WIRING NO.1	1	E24
2-1	09481-10501	*FUSE (10A)	4	
2-2	09481-15501	*FUSE (15A)	2	
3	36619-06G00	GUIDE, WIRING HARNESS	1	
4-1	36620-06G00	HARNESS, WIRING NO.2	1	
4-2	36620-06G10	HARNESS, WIRING NO.2	1	E24
5	36618-33E00	*COVER, SPEEDOMETER	1	
6	36859-06G00	WIRE, INJECTOR LEAD	1	
7	36852-06G00	WIRE, HORN LEAD	1	
8	09404-06432	CLAMP (L:80)	2	
9	09407-14407	CLAMP (L:145)	2	
10	09407-14408	CLAMP (L:120)	1	
11	09407-14403	CLAMP (L:125)	3	
12	01550-06103	BOLT	1	
13-1	37000-06860	LOCK SET	1	
13-2	37000-06880	LOCK SET	1	E24
14-1	37100-06G00	*LOCK ASSY, STEERING	1	
14-2	37100-06G10	*LOCK ASSY, STEERING	1	E24
15	09139-08016	SCREW (8X20)	2	
16	37740-31D00	SWITCH ASSY, STOP LAMP	1	
17	43259-06G00	SPRING, STOP LAMP	1	
18	37840-06G00	SWITCH ASSY, SIDE STAND	1	
19	01550-06163	BOLT	2	
20	38500-41F00	HORN ASSY	1	
21	01550-08123	BOLT	1	
22	08316-10083	NUT	1	
23	38740-24X50	RELAY ASSY, FUEL PUMP	1	
24	37146-33E00	KEY, BLANK	1	OPT

REFER TO FIG.33A (G-12) FOR MODEL K3
 REFER TO FIG.33B (G-13) FOR MODEL K4

FIG.33A

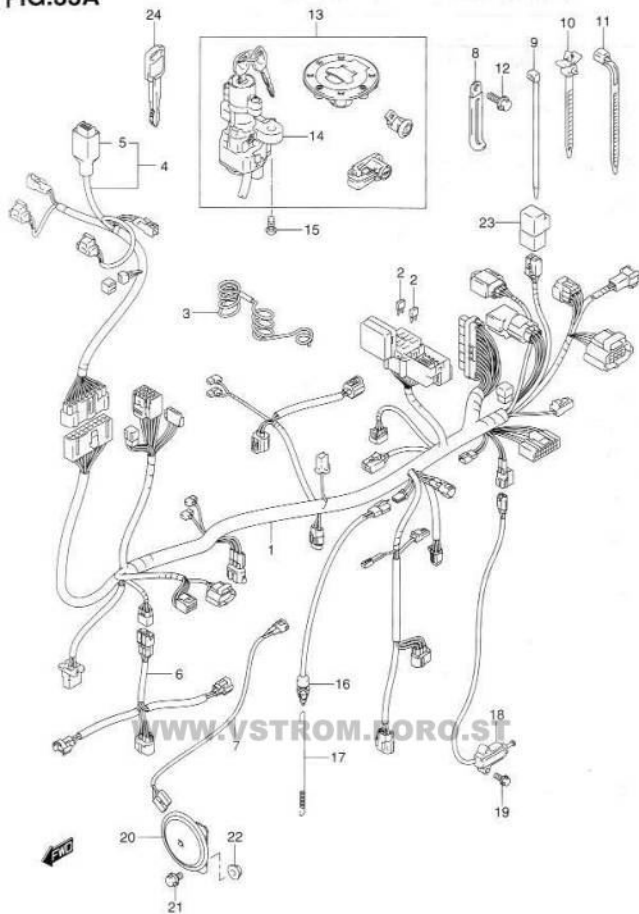


FIG.33A (G-12) WIRING HARNESS (MODEL K3)

REF NO.	PART NO.	DESCRIPTION	Q'TY	REMARKS
1-1	36610-06G20	HARNESS, WIRING NO.1	1	
1-2	36610-06G30	HARNESS, WIRING NO.1	1	E24
2-1	09481-10501	-FUZE (10A)	1	
2-2	09481-15501	-FUZE (15A)	5	
3	36619-06G00	GUIDE, WIRING HARNESS	1	
4-1	36620-06G00	HARNESS, WIRING NO.2	1	
4-2	36620-06G10	HARNESS, WIRING NO.2	1	E24
5	36618-33E00	-COVER, SPEEDOMETER	1	
6	36859-06G00	WIRE, INJECTOR LEAD	1	
7	36852-06G00	WIRE, HORN LEAD	1	
8-1	09404-06432	CLAMP (L:80, T:1.0)	1	
8-2	09404-06431	CLAMP (L:80, T:0.7)	1	
9	09407-14407	CLAMP (L:145)	2	
10-1	09407-14408	CLAMP (L:120)	1	
10-2	09407-17401	CLAMP (L:150)	1	
11	09407-14403	CLAMP (L:125)	3	
12	01550-06103	BOLT	1	
13-1	37000-06860	LOCK SET	1	
13-2	37000-06880	LOCK SET	1	E24
14-1	37100-06G00	-LOCK ASSY, STEERING	1	
14-2	37100-06G10	-LOCK ASSY, STEERING	1	E24
15	09139-08016	SCREW (8X20)	2	
16	37740-31D00	SWITCH ASSY, STOP LAMP	1	
17	43259-06G00	SPRING, STOP LAMP	1	
18	37840-06G00	SWITCH ASSY, SIDE STAND	1	
19	01550-06163	BOLT	2	
20	38500-41F00	HORN ASSY	1	
21	01550-08123	BOLT	1	
22	08316-10083	NUT	1	
23	38740-24X50	RELAY ASSY, FUEL PUMP	1	
24	37146-33E00	KEY, BLANK	1	OPT

REFER TO FIG.33B (G-13) FOR MODEL K4

FIG.33B

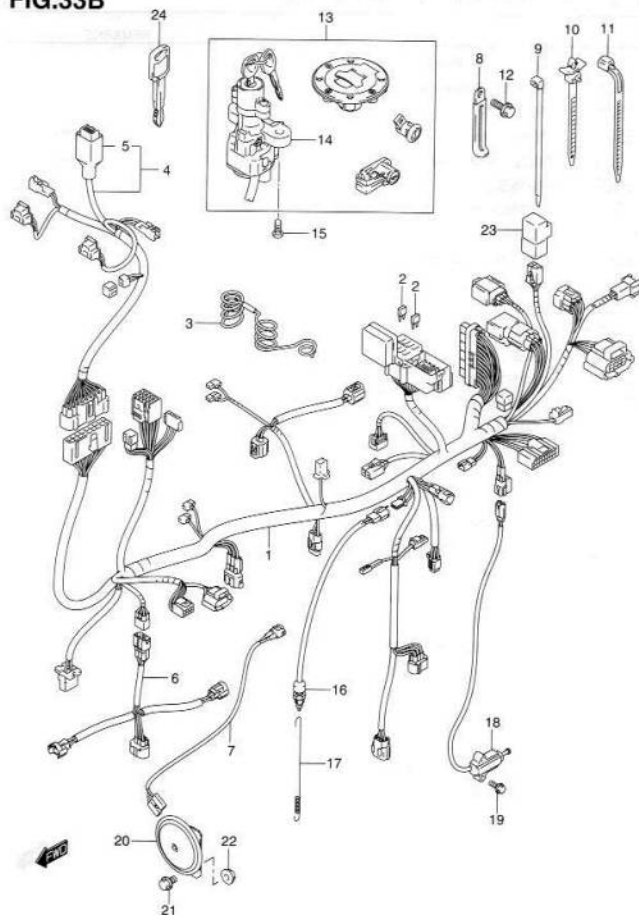


FIG.33B (G-13) WIRING HARNESS (MODEL K4)

REF NO.	PART NO.	DESCRIPTION	QTY	REMARKS
1-1	36610-06G40	HARNESS, WIRING NO.1	1	
1-2	36610-06G50	HARNESS, WIRING NO.1	1	E24
2-1	09481-10501	·FUSE (10A)	2	
2-2	09481-15501	·FUSE (15A)	4	
3	36619-06G01	GUIDE, WIRING HARNESS	1	
4-1	36620-27G10	HARNESS, WIRING NO.2	1	
4-2	36620-27G30	HARNESS, WIRING NO.2	1	E24
5	36618-18G10	·COVER, SPEEDOMETER	1	
6	36859-06G00	WIRE, INJECTOR LEAD	1	
7	36852-06G00	WIRE, HORN LEAD	1	
8-1	09404-06429	CLAMP (L:45)	1	
8-2	09404-06431	CLAMP (L:80)	1	
9	09407-14407	CLAMP (L:145)	1	
10	09407-17401	CLAMP (L:150)	1	
11	09407-14403	CLAMP (L:125)	3	
12	01547-06103	BOLT	1	
13-1	37000-06860	LOCK SET	1	
13-2	37000-06880	LOCK SET	1	MODEL K2/K3 E24
13-3	37000-06860	LOCK SET	1	MODEL K4 E24
14-1	37100-06G00	·LOCK ASSY, STEERING	1	
14-2	37100-06G10	·LOCK ASSY, STEERING	1	MODEL K2/K3 E24
14-3	37100-06G00	·LOCK ASSY, STEERING	1	MODEL K4 E24
15	09139-08016	SCREW (8X20)	2	
16	37740-31D00	SWITCH ASSY, STOP LAMP	1	
17	43259-06G00	SPRING, STOP LAMP	1	
18	37840-06G00	SWITCH ASSY, SIDE STAND	1	
19	01550-06163	BOLT	2	
20	38500-41F00	HORN ASSY	1	
21	01550-08123	BOLT	1	
22	08316-10083	NUT	1	
23	38740-24X50	RELAY ASSY, FUEL PUMP	1	
24	37146-33E00	KEY, BLANK	1	OPT

FIG.34

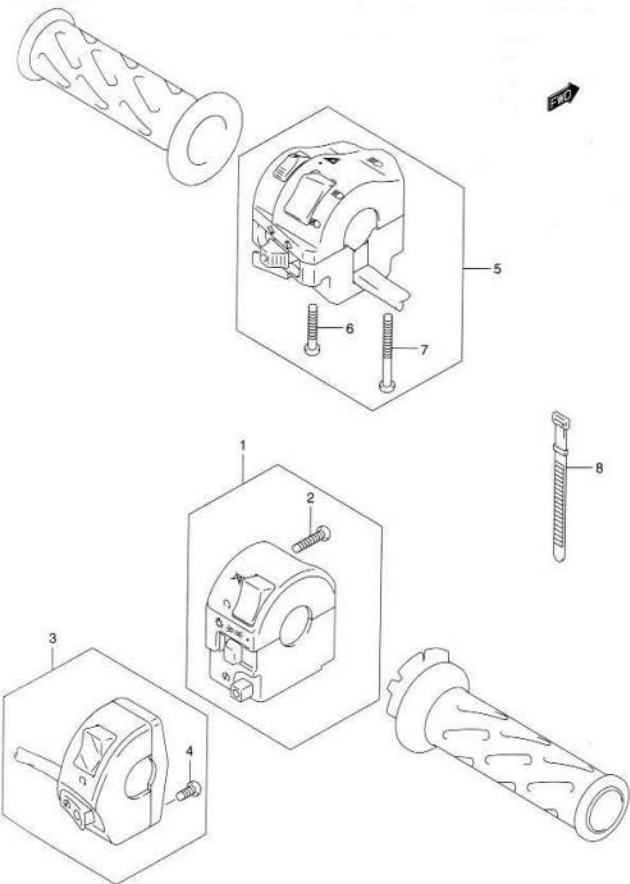


FIG.34 (G-14) HANDLE SWITCH (MODEL K2)

REF NO.	PART NO.	DESCRIPTION	QTY	REMARKS
1	37200-06G10	SWITCH ASSY, HANDLE RH	1	
2	02112-05455	•SCREW	2	
3	37200-06G30	SWITCH ASSY, HANDLE RH	1	E24
4	02112-05223	•SCREW	2	E24
5-1	37400-06G10	SWITCH ASSY, HANDLE LH	1	
5-2	37400-06G40	SWITCH ASSY, HANDLE RH	1	E24
6	02112-05305	•SCREW	1	
7	02112-05403	•SCREW	1	
8	09407-12402	CLAMP (L:120)	2	

REFER TO FIG.34A (G-15) FOR MODEL K3/K4

FIG.34A

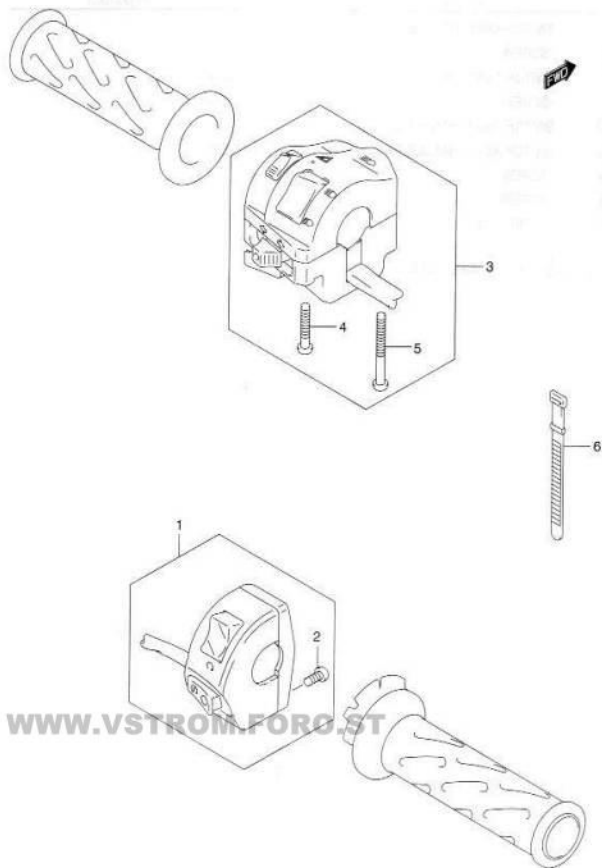


FIG.34A (G-15) HANDLE SWITCH (MODEL K3/K4)

REF NO.	PART NO.	DESCRIPTION	QTY	REMARKS
1	37200-06G30	SWITCH ASSY, HANDLE RH	1	
2	02112-05223	·SCREW	2	
3-1	37400-06G10	SWITCH ASSY, HANDLE LH	1	
3-2	37400-06G40	SWITCH ASSY, HANDLE RH	1	MODEL K2/K3 E24
3-3	37400-06G10	SWITCH ASSY, HANDLE RH	1	MODEL K4 E24
4	02112-05305	·SCREW	1	
5	02112-05403	·SCREW	1	
6	09407-12402	CLAMP (L:120)	2	

FIG.35

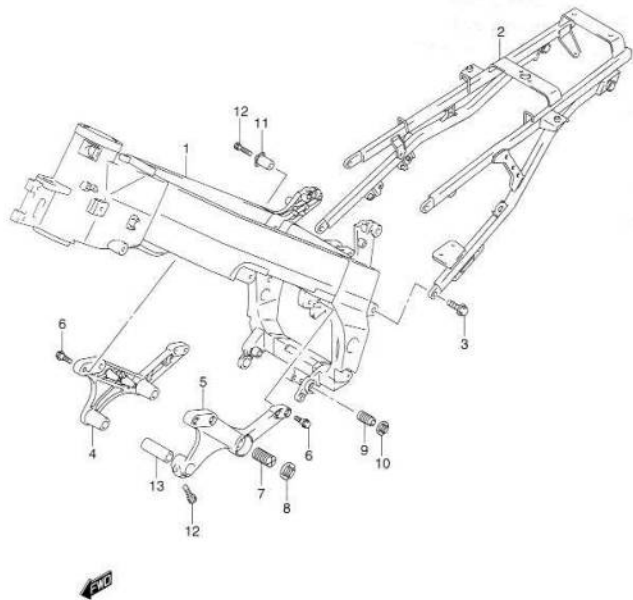


FIG.35 (H-2) FRAME

REF NO.	PART NO.	DESCRIPTION	QTY	REMARKS
1	41100-06G00-YD8	FRAME (SILVER)	1	
2	41200-06G00	RAIL, SEAT	1	
3	01550-10303	BOLT	4	
4-1	41911-06G00-YD8	BRACKET, MOUNT RH (SILVER)	1	MODEL K2/K3
4-2	41911-06G01-YD8	BRACKET, MOUNT RH (SILVER)	1	MODEL K4
5-1	41912-06G00-YD8	BRACKET, MOUNT LH (SILVER)	1	MODEL K2/K3
5-2	41912-06G01-YD8	BRACKET, MOUNT LH (SILVER)	1	MODEL K4
6	09106-08121	BOLT	8	
7-1	41921-19F11	BOLT, ADJUSTER CENTER	1	MODEL K2/K3
7-2	41923-16G00	BOLT, ADJUSTER CENTER	1	MODEL K4
8	41922-19F00	NUT, ADJUSTER CENTER	1	
9-1	41921-33E11	BOLT, ADJUSTER LOWER	1	MODEL K2/K3
9-2	41921-16G00	BOLT, ADJUSTER LOWER	1	MODEL K4
10	41922-33E00	NUT, ADJUSTER LOWER	1	
11	41941-19F01	SPACER, ADJUSTER UPPER	1	
12	09106-08149	BOLT	2	
13	41198-02F00	SPACER, HEAD FRONT LH	1	

FIG.36

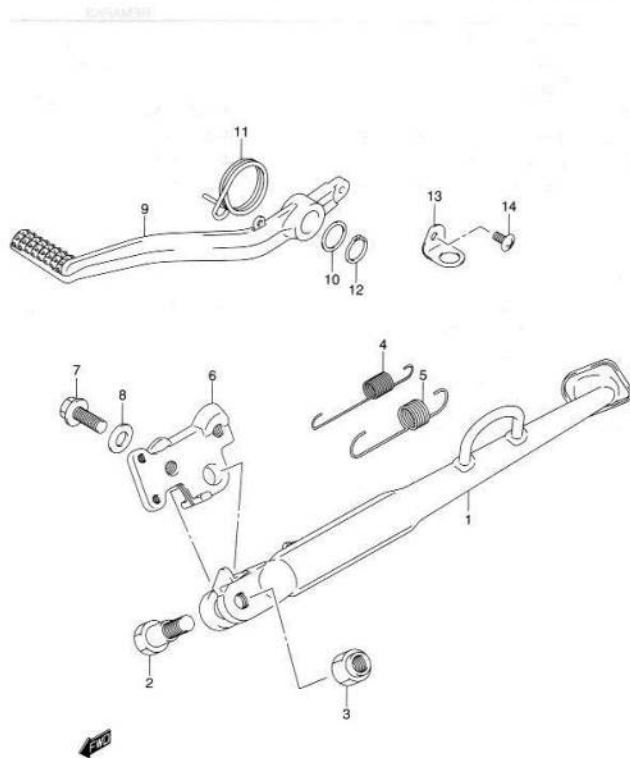


FIG.36 (H-3) STAND

REF NO.	PART NO.	DESCRIPTION	QTY	REMARKS
1	42310-06G00	STAND, PROP	1	
2	09111-10058	BOLT	1	
3	42321-03FK0	NUT	1	
4	09443-14058	SPRING, INNER	1	
5	09443-19011	SPRING, OUTER	1	
6	42330-06G00	BRACKET, PROP STAND	1	
7	09100-12084	BOLT	2	
8	09160-12061	WASHER	2	
9	43111-06G00	PEDAL, BRAKE	1	
10	09160-18022	WASHER	1	
11	09448-41005	SPRING	1	
12	08331-31186	CLIP	1	
13	43251-06G00	BRACKET, STOP SWITCH	1	
14	02142-06123	SCREW	1	

FIG.37

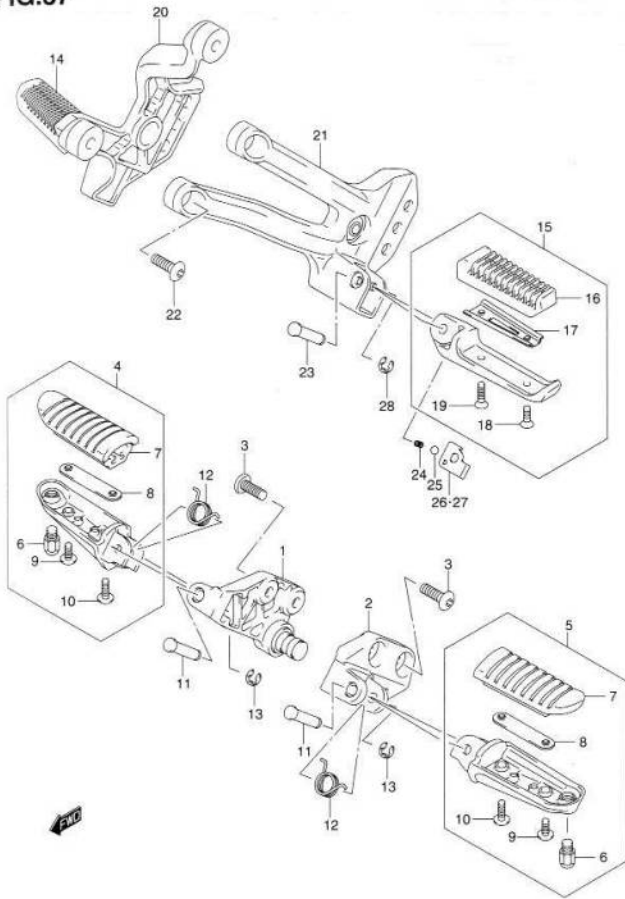


FIG.37 (H-4) FOOTREST

REF NO.	PART NO.	DESCRIPTION	QTY	REMARKS
1	43510-06G00	BRACKET, FRONT RH	1	
2	43521-06G00	BRACKET, FRONT LH	1	
3	09106-08150	BOLT	4	
4-1	43501-06G00	FOOTREST ASSY, FRONT RH	1	MODEL K2/K3
4-2	43501-06G01	FOOTREST ASSY, FRONT RH	1	MODEL K4
5-1	43502-06G00	FOOTREST ASSY, FRONT LH	1	MODEL K2/K3
5-2	43502-06G01	FOOTREST ASSY, FRONT LH	1	MODEL K4
6	43576-07D01	·BOLT, BANK SENSOR	2	
7	43551-06G00	·RUBBER	2	
8	43552-06G00	·PLATE	2	
9	02142-05163	·SCREW, OUTER	2	
10	02142-05203	·SCREW, INNER	2	
11	09208-08016	PIN	2	
12	09448-18022	SPRING	2	
13	08332-11063	E RING	2	
14	43600-42F00	FOOTREST ASSY, PILLION RH	1	
15	43700-42F00	FOOTREST ASSY, PILLION LH	1	
16	43612-31300	·RUBBER	2	
17	43632-45501	·PLATE, STOP	2	
18	02122-05123	·SCREW, OUTER	2	
19	02122-05163	·SCREW, INNER	2	
20	43811-06G00	BRACKET, PILLION FOOTREST RH	1	
21	43821-06G00	BRACKET, PILLION FOOTREST LH	1	
22	09106-08150	BOLT, BRACKET	4	
23	09208-08010	PIN	2	
24	09440-05005	SPRING	2	
25	06111-07004	BALL	2	
26	43816-42F10	PLATE, FOOTREST RH	1	
27	43826-42F10	PLATE, FOOTREST LH	1	
28	08332-11063	E RING	2	

FIG.38

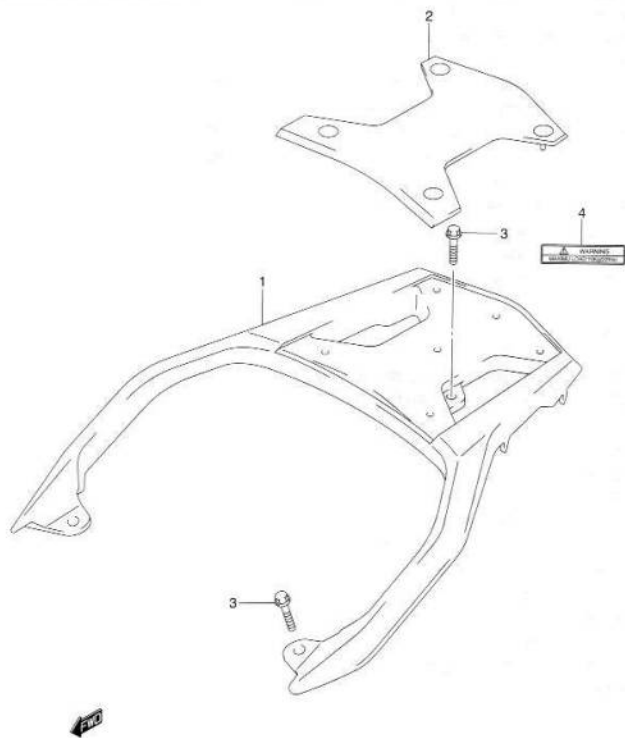


FIG.38 (H-5) CARRIER

REF NO.	PART NO.	DESCRIPTION	QTY	REMARKS
1	46311-06G00-YD8	CARRIER, SPORT (SILVER)	1	
2	46321-06G00	MAT. CARRIER	1	
3-1	09103-08341	BOLT	4	MODEL K2/K3
3-2	09103-08391	BOLT	4	MODEL K4
4	68391-06G00	LABEL, CARRIER	1	

4

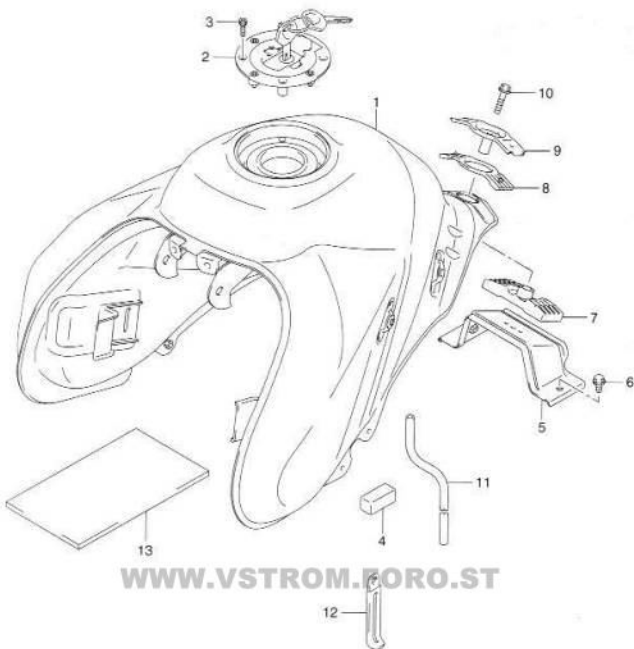
FIG.39

FIG.39 (H-6) FUEL TANK

01-019

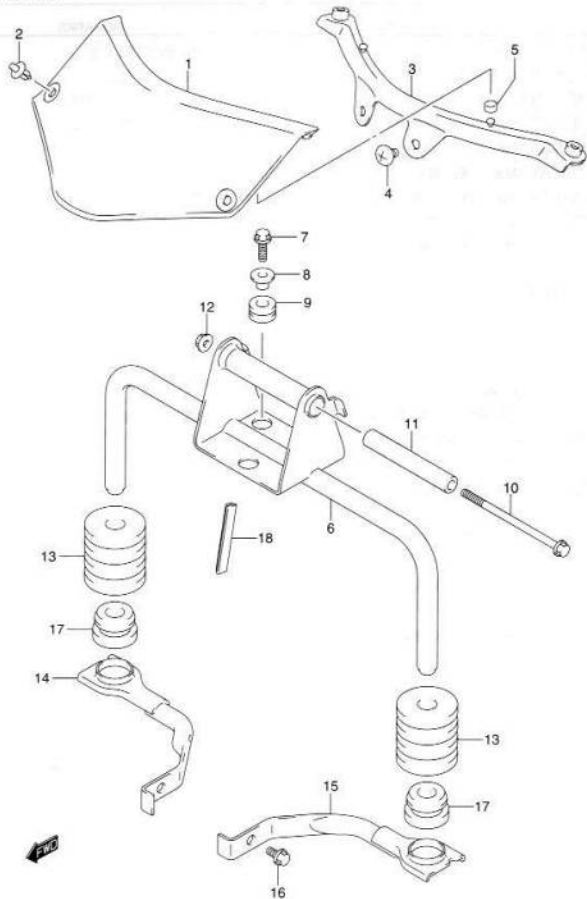
REF NO.	PART NO.	DESCRIPTION	Q'TY	REMARKS
1-1	44110-06G10-Y7H	TANK, FUEL (BLUE)	1	MODEL K2 E2, E19
1-2	44110-06G10-YU8	TANK, FUEL (GRAY)	1	MODEL K2 E2, E19
1-3	44110-06G10-YU9	TANK, FUEL (YELLOW)	1	MODEL K2/K3 E2, E19
1-4	44110-06G10-YD8	TANK, FUEL (SILVER)	1	MODEL K3/K4 E2, E19
1-5	44110-06G10-YBA	TANK, FUEL (BLUE)	1	MODEL K3/K4 E2, E19
1-6	44110-06G10-YAY	TANK, FUEL (BLACK)	1	MODEL K4 E2, E19
1-7	44110-06G00-Y7H	TANK, FUEL (BLUE)	1	MODEL K2 E24
1-8	44110-06G00-YU8	TANK, FUEL (GRAY)	1	MODEL K2 E24
1-9	44110-06G00-YU9	TANK, FUEL (GRAY)	1	MODEL K2/K3 E24
1-10	44110-06G00-YD8	TANK, FUEL (SILVER)	1	MODEL K3/K4 E24
1-11	44110-06G00-YBA	TANK, FUEL (BLUE)	1	MODEL K3/K4 E24
1-12	44110-06G00-YAY	TANK, FUEL (BLACK)	1	MODEL K4 E24
2	44201-33820	CAP SET, FUEL TANK	1	
3	09106-05017	BOLT	4	
4	44541-06G00	CUSHION, SIDE	2	
5-1	44550-06G00	BRACKET, REAR LOWER	1	MODEL K2/K3
5-2	44550-06G01	BRACKET, REAR LOWER	1	MODEL K4
6	01550-08163	BOLT	2	
7	44545-06G00	CUSHION, LOWER	1	
8	44542-06G00	CUSHION, UPPER	1	
9	44530-06G00	BRACKET, UPPER	1	
10	01550-08353	BOLT	1	
11	44423-06G00	HOSE, WATER DRAIN	1	
12	09404-06432	CLAMP	1	
13	44194-06G00	SHIELD, TANK CENTER	1	

4



WWW.VSTROM.FORO.ST

FIG.40



DL1000K2 E02_040
FRONT BRACKET

FIG.40 (H-7) FRONT BRACKET

REF NO.	PART NO.	DESCRIPTION	Q'TY	REMARKS
1-1	44171-06G00-YZ5	COVER, FRONT (BLACK)	1	MODEL K2/K3
1-2	44171-06G10-291	COVER, FRONT (BLACK)	1	MODEL K4
2	09409-06314-5PK	CLIP (BLACK)	2	
3	44160-06G00	BRACKET, COVER	1	
4	02142-06123	SCREW	2	
5	44164-06G00	CUSHION, COVER	2	
6	44520-06G00	BRACKET, FRONT	1	
7	01550-06203	BOLT	3	
8	09169-06062	SPACER	3	
9	09320-08001	CUSHION	3	
10	01550-06953	BOLT	1	
11	44561-35F00	SPACER	1	
12	08319-31063	NUT	1	
13	44511-06G00	CUSHION	2	
14	44560-06G00	BRACKET, SIDE RH	1	
15	44570-06G00	BRACKET, SIDE LH	1	
16	01550-06123	BOLT	2	
17	09320-12054	CUSHION	2	
18	68241-04X50-300	MOLDING, COVER	2	

DL1000K2 E2

FIG.41

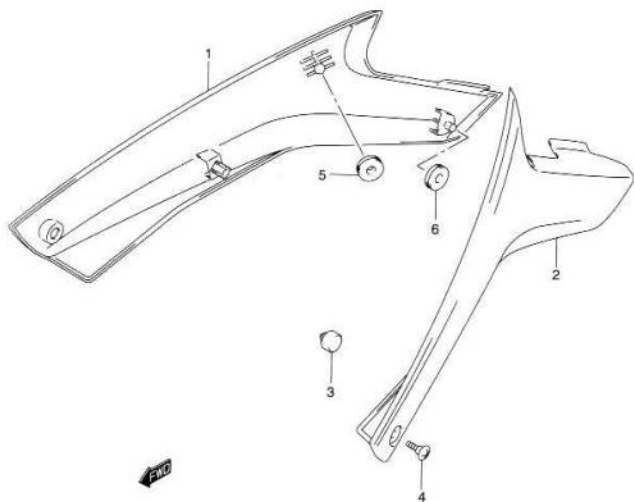


FIG.41 (H-8) FRAME COVER

REF NO.	PART NO.	DESCRIPTION	Q'TY	REMARKS
1-1	47111-06G00-YZ5	COVER, FRAME RH (BLACK)	1	MODEL K2/K3
1-2	47111-06G00-291	COVER, FRAME RH (BLACK)	1	MODEL K4
2-1	47211-06G00-YZ5	COVER, FRAME LH (BLACK)	1	MODEL K2/K3
2-2	47211-06G00-291	COVER, FRAME LH (BLACK)	1	MODEL K4
3	09321-10002	CUSHION, CENTER	2	
4	09139-06107	SCREW, FRONT	2	
5	09320-08018	CUSHION, UPPER	2	
6	09320-08028	CUSHION, LOWER	2	

FIG.42

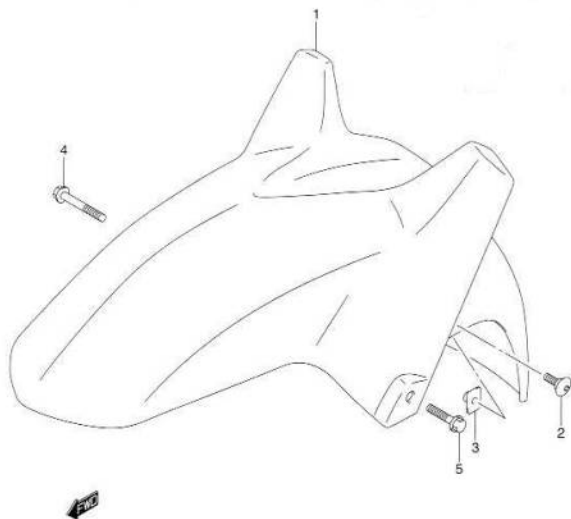
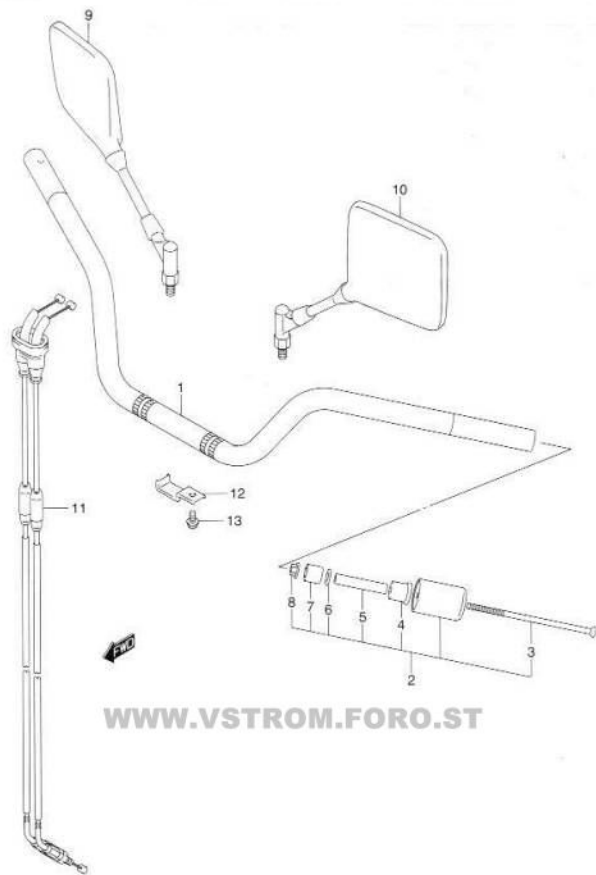


FIG.42 (H-9) FRONT FENDER

REF NO.	PART NO.	DESCRIPTION	QTY	REMARKS
1-1	53111-06G00-33J	FENDER, FRONT (BLACK)	1	MODEL K2/K3 FOR Y7H, Y8A
1-2	53111-06G00-Y7L	FENDER, FRONT (BLACK)	1	MODEL K2/K3 FOR YU8, YU9, YD8
1-3	53111-06G00-YAY	FENDER, FRONT (BLACK)	1	MODEL K4
2	09139-06121	BOLT, FRONT	2	
3	53122-06G00	NUT	2	
4	01547-06453	BOLT, RH	1	
5	01547-06303	BOLT, LH	1	

4

FIG.43



WWW.VSTROM.FORO.ST

FIG.43 (1-2) HANDLEBAR (MODEL K2/K3)

REF NO.	PART NO.	DESCRIPTION	QTY.	REMARKS
1-1	56111-06G00	HANDLEBAR	1	MODEL K2 E2, E19
1-2	56111-06G10	HANDLEBAR	1	MODEL K2 E24
1-3	56111-06G10	HANDLEBAR	1	MODEL K3
2	56200-06841	BALANCER SET, HANDLEBAR	2	
3	09127-06021	·SCREW	2	
4	56272-06G00	·EXPANDER, OUTER	2	
5	56276-17D00	·SPACER	2	
6	09160-06130	·WASHER	2	
7	56272-42F00	·EXPANDER, INNER	2	
8	09159-06024	·NUT	2	
9	56500-06G00	MIRROR ASSY, REAR VIEW RH	1	
10	56600-06G00	MIRROR ASSY, REAR VIEW LH	1	
11-1	58300-06G00	CABLE ASSY, THROTTLE	1	MODEL K2
11-2	58300-06G01	CABLE ASSY, THROTTLE	1	MODEL K3
12	58621-06G00	GUIDE, CABLE	1	
13	02162-06123	BOLT	1	

REFER TO FIG.43A (1-3) FOR MODEL K4

FIG.43A

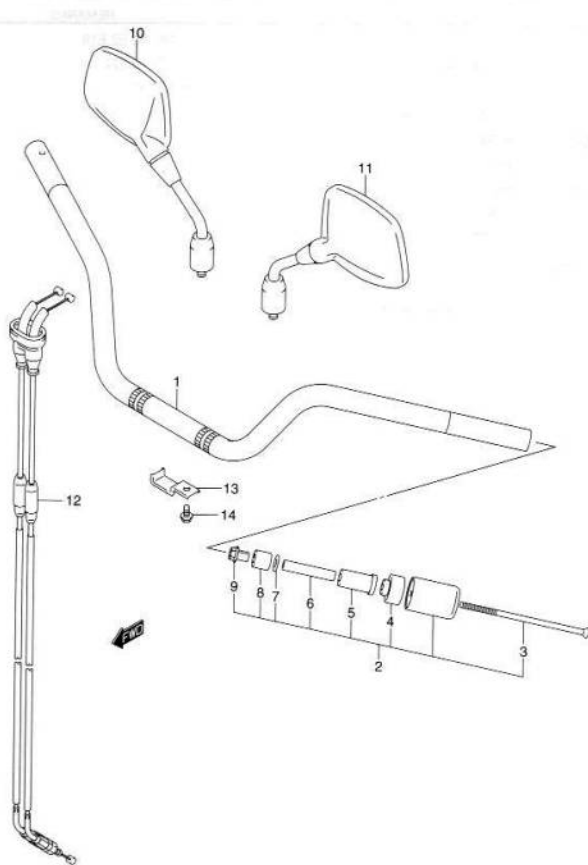


FIG.43A (I-3) HANDLEBAR (MODEL K4)

REF NO.	PART NO.	DESCRIPTION	QTY	REMARKS
1	56111-06G10	HANDLEBAR	1	
2	56200-06860	BALANCER SET, HANDLEBAR	2	
3	09127-06023	·SCREW	2	
4	57346-14G00	·SPACER	2	
5	56272-06G00	·EXPANDER, OUTER	2	
6	56276-17D00	·SPACER	2	
7	09160-06130	·WASHER	2	
8	56272-10G00	·EXPANDER, INNER	2	
9	56273-10G00	·NUT	2	
10	56500-04F20	MIRROR ASSY, REAR VIEW RH	1	
11	56600-04F20	MIRROR ASSY, REAR VIEW LH	1	
12	58300-06G10	CABLE ASSY, THROTTLE	1	
13	58621-06G00	GUIDE, CABLE	1	
14	02162-06123	BOLT	1	

4

FIG.44 (1-4) HANDLE LEVER

REF NO.	PART NO.	DESCRIPTION	QTY	REMARKS
1	57110-45D02	GRIP, THROTTLE	1	
2	57100-42F00	CASE ASSY, THROTTLE	1	
3	07130-05253	·BOLT	2	
4	57300-06G00	LEVER ASSY, BRAKE	1	
5	57431-06G00	·BOLT	1	
6	08316-10063	·NUT	1	
7-1	57460-17C00	SWITCH ASSY, STOP	1	MODEL K2/K3
7-2	57460-17C11	SWITCH ASSY, STOP	1	MODEL K4
8	57465-17C00	·SCREW	1	
9	57211-22D01	GRIP LH	1	
10-1	57500-06G00	LEVER ASSY, CLUTCH	1	MODEL K2/K3
10-2	57500-06G10	LEVER ASSY, CLUTCH	1	MODEL K4
11-1	57431-06G00	·BOLT	1	MODEL K2/K3
11-2	57431-06G10	·BOLT	1	MODEL K4
12	08316-10063	·NUT	1	
13	57560-02FA0	SWITCH ASSY, CLUTCH	1	

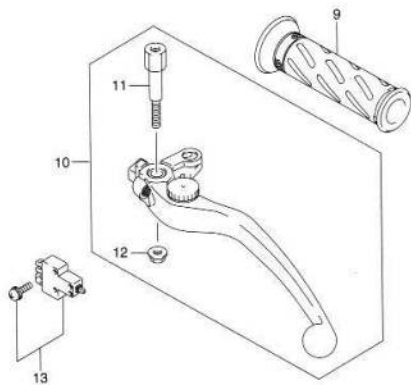
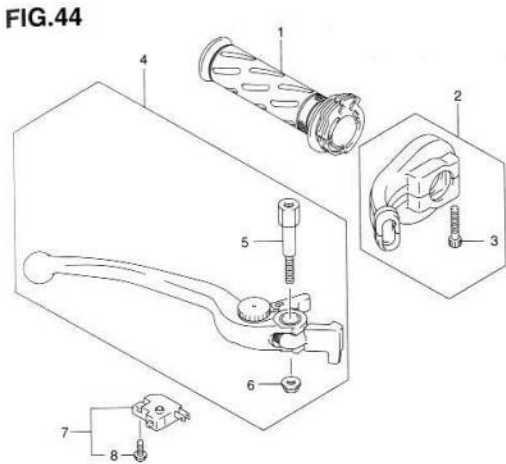


FIG.45

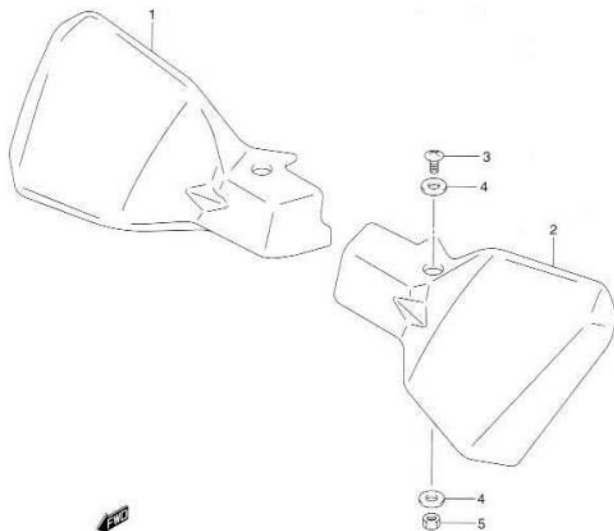


FIG.45 (I-5) KNUCKLE COVER

REF NO.	PART NO.	DESCRIPTION	QTY	REMARKS
1-1	57341-06G00-019	COVER, KNUCKLE RH (BLACK)	1	MODEL K2/K3
1-2	57341-27G00-291	COVER, KNUCKLE RH (BLACK)	1	MODEL K4
2-1	57541-06G00-019	COVER, KNUCKLE LH (BLACK)	1	MODEL K2/K3
2-2	57541-06G10-291	COVER, KNUCKLE LH (BLACK)	1	MODEL K4
3	02142-06107	SCREW	2	
4	09160-06130	WASHER	4	
5	08319-21068	NUT	2	

4

WWW.VSTROM.FORO.ST

FIG.46

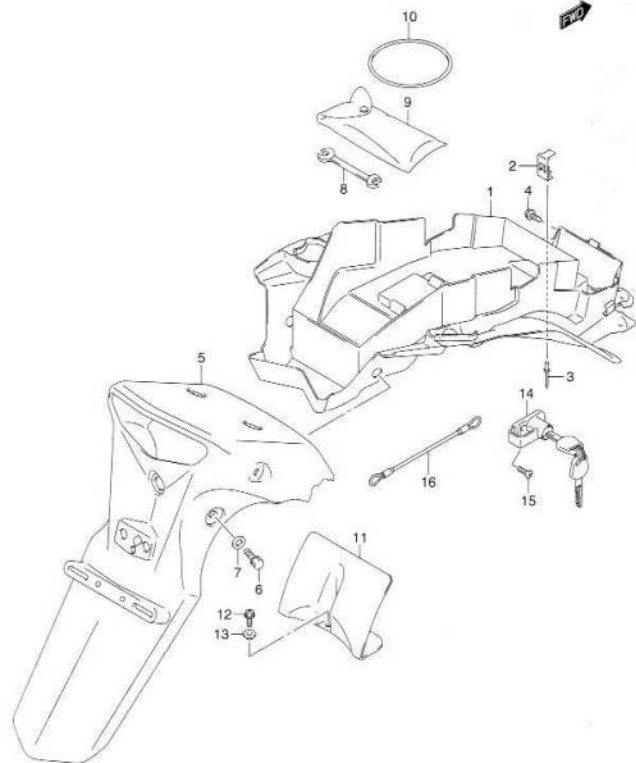


FIG.46 (I-6) REAR FENDER

REF NO.	PART NO.	DESCRIPTION	QTY	REMARKS
1	63111-06G00	FENDER, REAR FRONT	1	
2	47412-06G00	BRACKET, FUEL SENSOR	1	
3	09229-04020	RIVET	2	
4	09116-06098	BOLT	2	
5-1	63112-06G00-YZ5	FENDER, REAR (BLACK)	1	MODEL K2/K3
5-2	63112-06G00-291	FENDER, REAR (BLACK)	1	MODEL K4
6	01547-06123	BOLT	2	
7	09160-06109	WASHER	2	
8	09813-00027	SPANNER, 8X10	1	
9	09800-21035	TOOL ASSY	1	
10	09280-61002	BAND, TOOL	1	
11	63421-19F00	MUD GUARD, REAR FENDER LOWER	1	
12	02162-06163	BOLT	1	
13	09169-06071	WASHER	1	
14	95700-42810	LOCK SET, HELMET	1	
15	02122-06203	SCREW	1	
16	95740-06G00	CABLE, HELMET LOCK	1	

4

FIG.47

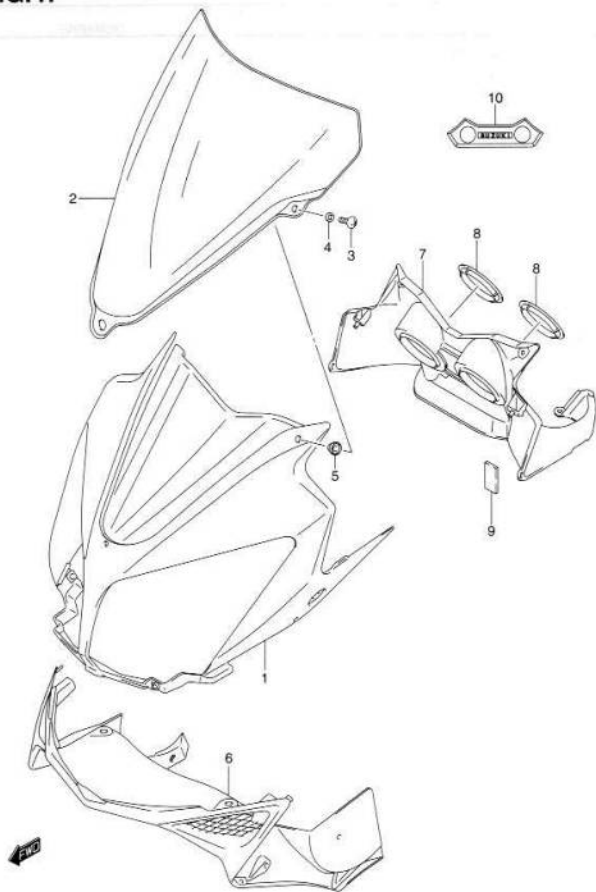


FIG.47 (I-7) COWLING BODY (MODEL K2/K3)

REF NO.	PART NO.	DESCRIPTION	Q'TY	REMARKS
1-1	94410-06G00-33J	BODY, COWLING (BLACK)	1	FOR Y7H, Y8A
1-2	94410-06G00-Y7L	BODY, COWLING (BLACK)	1	FOR YU8, YU9, YD8
2	94610-06G00	WINDSCREEN	1	
3	09139-05075	SCREW	2	
4	08322-01053	WASHER	2	
5	94619-36A00	NUT	2	
6	94461-06G00-YZ5	COVER, COWL INNER (BLACK)	1	
7-1	94630-06G00-HW5	PANEL, METER	1	MODEL K2
7-2	94630-06G00-LP7	PANEL, METER	1	MODEL K3
8-1	94632-06G00-YAG	RING, METER PANEL (SILVER)	2	MODEL K2
8-2	94632-06G00-YCG	RING, METER PANEL (GRAY)	2	MODEL K3
9	44885-38A00	-CUSHION	1	
10-1	68281-06G00	EMBLEM	1	MODEL K2
10-2	68281-06G00-YCG	EMBLEM (GRAY)	1	MODEL K3

REFER TO FIG.47A (I-8) FOR MODEL K4

4

FIG.47A

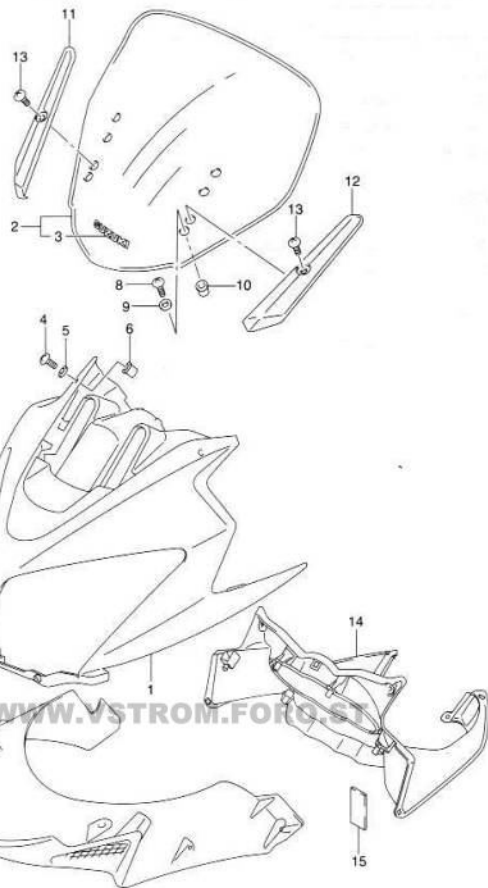


FIG.47A (1-8) COWLING BODY (MODEL K4)

REF NO.	PART NO.	DESCRIPTION	QTY	REMARKS
1	94410-27G00-YAY	BODY, COWLING (BLACK)	1	
2	94610-27G00	WINDSCREEN	1	
3	68270-27G00-CT5	TAPE	1	
4	09139-05075	SCREW, LOWER	2	
5	08322-01053	WASHER	2	
6	94619-36A00	NUT	2	
7	94461-06G00-291	COVER, COWL INNER (BLACK)	1	
8	02142-05203	SCREW, UPPER	4	
9	09161-05017	WASHER	4	
10	09159-05019	NUT	4	
11	94641-27G00-291	COVER, WINDSCREEN RH (BLACK)	1	
12	94642-27G00-291	COVER, WINDSCREEN LH (BLACK)	1	
13	09132-05053	SCREW	2	
14	94630-27G00-291	PANEL, METER (BLACK)	1	
15	44885-38A00	CUSHION	1	

FIG.48

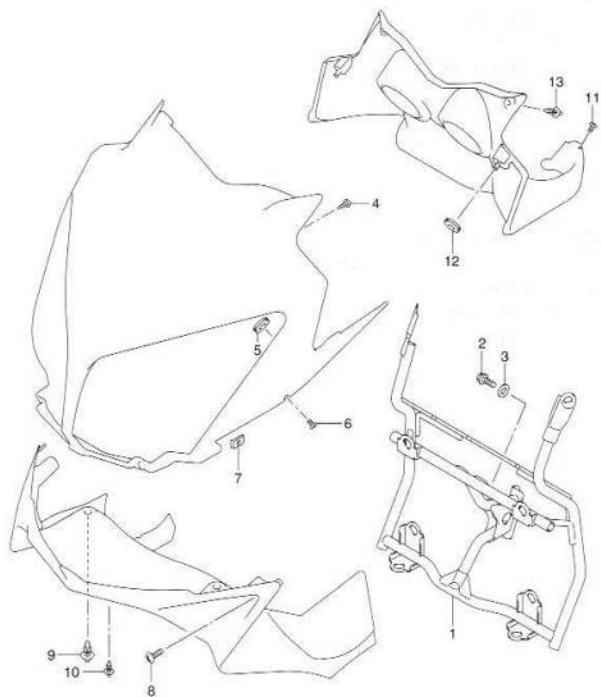


FIG.48 (I-9) COWL BODY INSTALLATION PARTS (MODEL K2/K3)

REF NO.	PART NO.	DESCRIPTION	QTY	REMARKS
1	94510-06G00	BRACE, COWLING	1	
2	09103-08505	BOLT	2	
3	09164-08020	WASHER	2	
4	09132-05041	SCREW, UPPER	2	
5	09320-08028	CUSHION	4	
6	09139-05064	SCREW, SIDE	4	
7	09148-05038	NUT, SIDE	2	
8	03242-05103	SCREW, FRONT	2	
9	09409-07333	CLIP, INNER COVER UPPER	2	
10	09409-06314-5PK	CLIP, SIDE (BLACK)	6	
11	09139-06122	SCREW, METER PANEL REAR	2	
12	09320-06016	CUSHION, METER PANEL REAR	2	
13	09409-06314-5PK	CLIP, METER PANEL (BLACK)	2	

REFER TO FIG.48A (I-10) FOR MODEL K4

4

FIG.48A

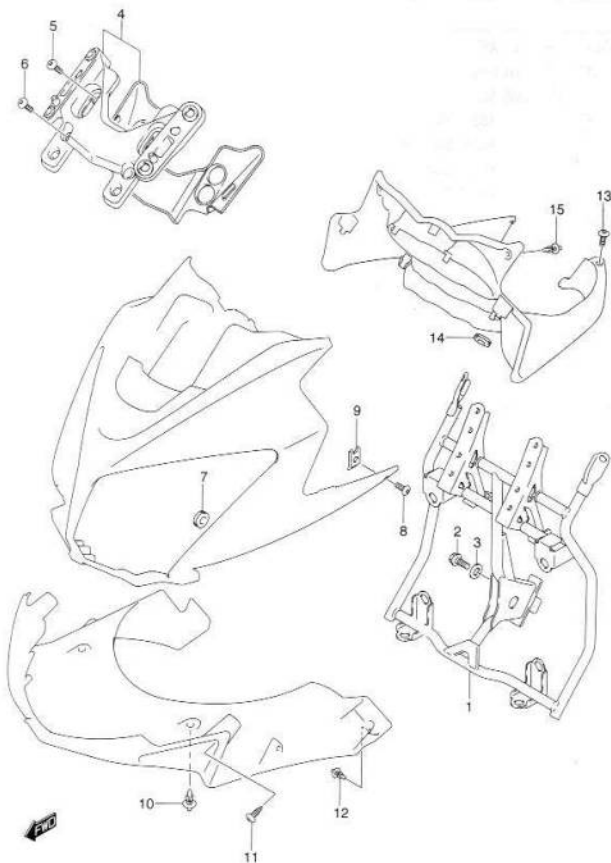
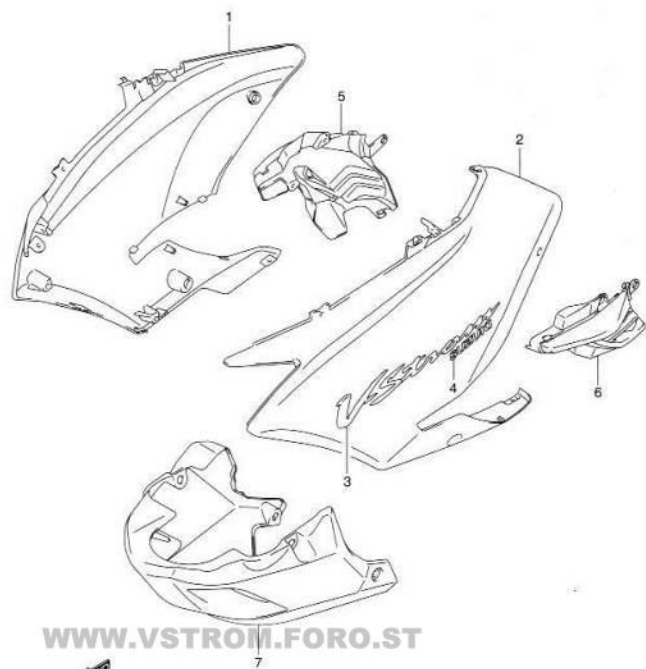


FIG.48A (I-10) COWL BODY INSTALLATION PARTS (MODEL K4)

REF NO.	PART NO.	DESCRIPTION	QTY	REMARKS
1	94510-27G00	BRACE, COWLING	1	
2	09103-08505	BOLT	2	
3	09164-08020	WASHER	2	
4	94600-27G00	BRACE, WINDSCREEN	1	
5	09139-06126	SCREW, UPPER	2	
6	09139-06120	SCREW, LOWER	2	
7	09320-08028	CUSHION	4	
8	09139-05064	SCREW, SIDE	4	
9	09148-05038	NUT, SIDE	2	
10	09409-07333	CLIP, INNER COVER UPPER	2	
11	03242-05163	SCREW, INNER COVER	2	
12	09409-06314-5PK	CLIP, SIDE (BLACK)	6	
13	09139-06122	SCREW, METER PANEL REAR SIDE	2	
14	09320-06016	CUSHION, METER PANEL REAR	2	
15	09409-06314-5PK	CLIP, METER PANEL (BLACK)	2	

FIG.49



WWW.VSTROM.FORO.ST

FIG.49 (I-11) SIDE COWLING (MODEL K2)

REF NO.	PART NO.	DESCRIPTION	QTY	REMARKS
1-1	94402-06G00-Y7H	COWL ASSY, SIDE RH (BLUE)	1	
1-2	94402-06G00-YU8	COWL ASSY, SIDE RH (GRAY)	1	
1-3	94402-06G10-YU9	COWL ASSY, SIDE RH (YELLOW)	1	
2-1	94403-06G00-Y7H	COWL ASSY, SIDE LH (BLUE)	1	
2-2	94403-06G00-YU8	COWL ASSY, SIDE LH (GRAY)	1	
2-3	94403-06G10-YU9	COWL ASSY, SIDE LH (YELLOW)	1	
3-1	68681-06G00-1ZY	·EMBLEM (GRAY)	2	FOR Y7H
3-2	68681-06G00-YD8	·EMBLEM (SILVER)	2	FOR YU8
3-3	68681-06G00-17U	·EMBLEM (GRAY)	2	FOR YU9
4-1	68166-31300-17U	·EMBLEM, "SUZUKI" (GRAY)	2	FOR Y7H
4-2	68166-31300-1ZY	·EMBLEM, "SUZUKI" (GRAY)	2	FOR YU8, YU9
5	94440-06G00-YZ5	COVER, SIDE RH (BLACK)	1	
6	94450-06G00-YZ5	COVER, SIDE RH (BLACK)	1	
7	94471-06G00-YZ5	COWLING, UNDER (BLACK)	1	

REFER TO FIG.49A (I-12) FOR MODEL K3
 REFER TO FIG.49B (I-13) FOR MODEL K4

FIG.49A

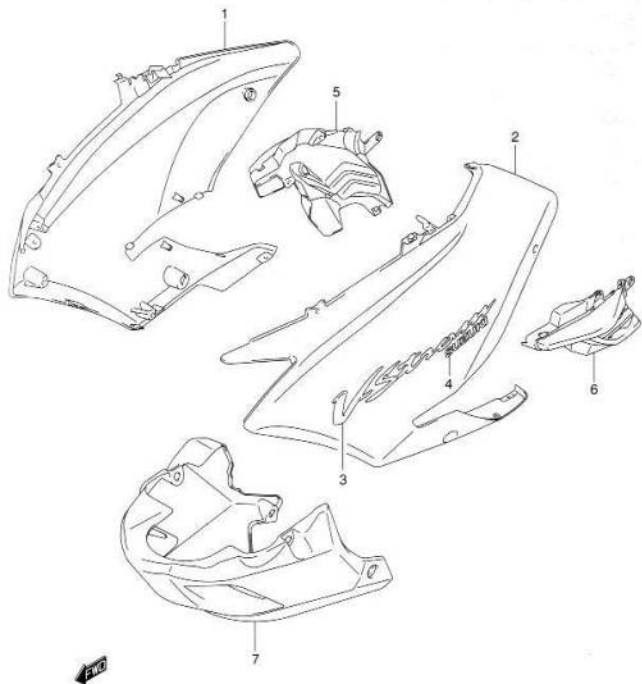


FIG.49A (I-12) SIDE COWLING (MODEL K3)

REF NO.	PART NO.	DESCRIPTION	QTY	REMARKS
1-1	94402-06G10-YD8	COWL ASSY, SIDE RH (SILVER)	1	
1-2	94402-06G10-ZJX	COWL ASSY, SIDE RH (YELLOW)	1	
1-3	94402-06G00-YBA	COWL ASSY, SIDE RH (BLUE)	1	
2-1	94403-06G10-YD8	COWL ASSY, SIDE LH (SILVER)	1	
2-2	94403-06G10-ZJX	COWL ASSY, SIDE LH (YELLOW)	1	
2-3	94403-06G00-YBA	COWL ASSY, SIDE LH (BLUE)	1	
3-1	68681-06G00-Y7H	·EMBLEM (BLUE)	2	FOR YD8
3-2	68681-06G00-17U	·EMBLEM (GRAY)	2	FOR ZJX
3-3	68681-06G00-YD8	·EMBLEM (SILVER)	2	FOR YBA
4-1	68166-31300-YU8	·EMBLEM, "SUZUKI" (GRAY)	2	FOR YD8
4-2	68166-31300-Y7H	·EMBLEM, "SUZUKI" (BLUE)	2	FOR ZJX
4-3	68166-31300-1ZY	·EMBLEM, "SUZUKI" (GRAY)	2	FOR YBA
5	94440-06G00-YZ5	COVER, SIDE RH (BLACK)	1	
6	94450-06G00-YZ5	COVER, SIDE RH (BLACK)	1	
7	94471-06G00-YZ5	COWLING, UNDER (BLACK)	1	

REFER TO FIG.49B (I-13) FOR MODEL K4

FIG.49B

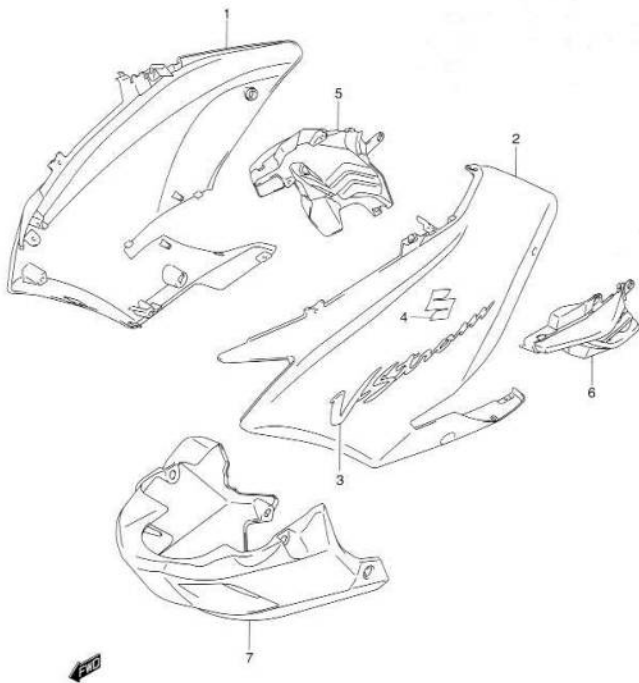


FIG.49B (I-13) SIDE COWLING (MODEL K4)

REF NO.	PART NO.	DESCRIPTION	QTY	REMARKS
1-1	94402-06G30-YD8	COWL ASSY, SIDE RH (SILVER)	1	
1-2	94402-06G20-YAY	COWL ASSY, SIDE RH (BLACK)	1	
1-3	94402-06G20-YBA	COWL ASSY, SIDE RH (BLUE)	1	
2-1	94403-06G30-YD8	COWL ASSY, SIDE LH (SILVER)	1	
2-2	94403-06G20-YAY	COWL ASSY, SIDE LH (BLACK)	1	
2-3	94403-06G20-YBA	COWL ASSY, SIDE LH (BLUE)	1	
3-1	68681-27G00-HT8	·EMBLEM	2	FOR YD8
3-2	68681-27G00-AML	·EMBLEM	2	FOR YAY
3-3	68681-27G00-AMV	·EMBLEM	2	FOR YBA
4-1	68111-18G00-ASL	·EMBLEM	2	FOR YD8
4-2	68111-18G00-ACV	·EMBLEM	2	FOR YAY
4-3	68111-18G00-ABF	·EMBLEM	2	FOR YBA
5	94440-06G00-291	COVER, SIDE RH (BLACK)	1	
6	94450-06G00-291	COVER, SIDE RH (BLACK)	1	
7	94471-06GA0-291	COWLING, UNDER (BLACK)	1	

4

FIG.50

FIG.50 (I-14) SIDE COWL INSTALLATION PARTS

REF. NO.	PART NO.	DESCRIPTION	QTY	REMARKS
1	94520-06G00	BRACKET, UNDER FRONT	1	
2	11178-12F10	SCREW	4	
3	09320-09016	CUSHION	4	
4	94530-06G00	BRACKET, RH	1	
5	94540-06G00	BRACKET, LH	1	
6	09148-05038	NUT	4	
7	03242-05103	SCREW	4	
8	02142-05103	SCREW, CENTER	4	
9	94484-24F00	NUT, UPPER	4	
10	09139-06087	SCREW, SIDE	2	
11	09320-09016	CUSHION	2	
12	09139-06122	SCREW, SIDE REAR	2	

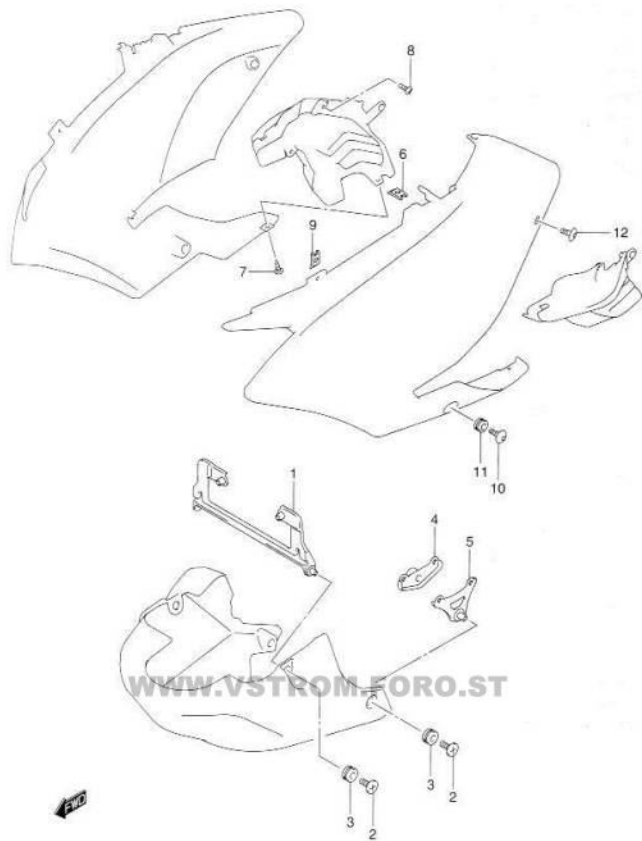


FIG.51

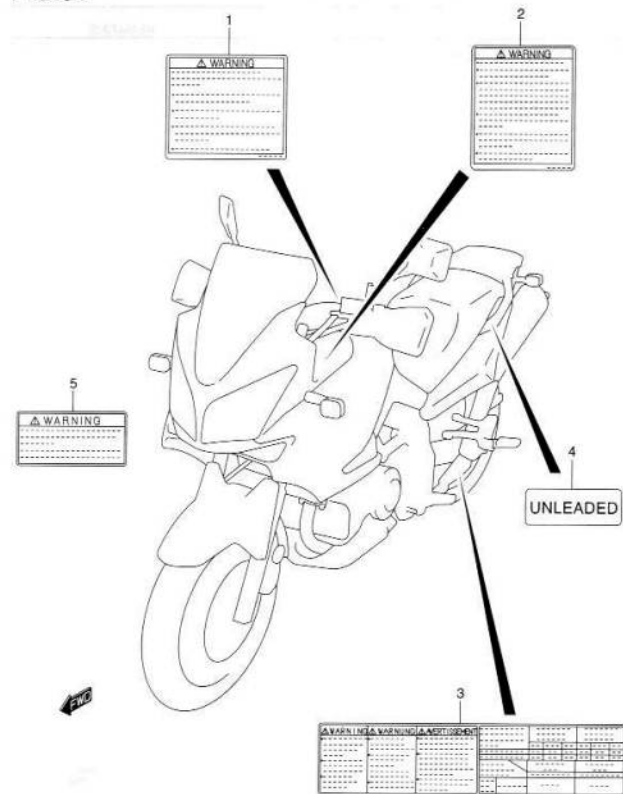


FIG.51 (I-15) LABEL

REF NO.	PART NO.	DESCRIPTION	QTY	REMARKS
1-1	68319-29F00	LABEL, WARNING (ENGLISH)	1	E2, E19, E24
1-2	68319-29F20	LABEL, WARNING (GERMAN)	1	E19
1-3	68319-29F30	LABEL, WARNING (FRENCH)	1	E19
1-4	68319-29F40	LABEL, WARNING (ITALIAN)	1	E19
1-5	68319-29F50	LABEL, WARNING (SPANISH)	1	E19
1-6	68319-29F70	LABEL, WARNING (DUTCH)	1	E19
1-7	68319-29F80	LABEL, WARNING (PORTUGUESE)	1	E19, P37
1-8	68319-29F90	LABEL, WARNING (SWEDISH)	1	E19
1-9	68319-29FA0	LABEL, WARNING (FINNISH)	1	E19
1-10	68319-29FB0	LABEL, WARNING (NORWEGIAN)	1	E19
1-11	68319-29FC0	LABEL, WARNING (DANISH)	1	E19
1-12	68319-30F40	LABEL, WARNING (ITALIAN)	1	E19
1-13	68319-30F90	LABEL, WARNING (SWEDISH)	1	E19
2-1	68922-29F00	LABEL, SCREEN (ENGLISH)	1	E2, E19, E24
2-2	68922-29F20	LABEL, SCREEN (GERMAN)	1	E19
2-3	68922-29F30	LABEL, SCREEN (FRENCH)	1	E19
2-4	68922-29F40	LABEL, SCREEN (ITALIAN)	1	E19
2-5	68922-29F50	LABEL, SCREEN (SPANISH)	1	E19
2-6	68922-29F70	LABEL, SCREEN (DUTCH)	1	E19
2-7	68922-29F80	LABEL, SCREEN (PORTUGUESE)	1	E19, P37
2-8	68922-29F90	LABEL, SCREEN (SWEDISH)	1	E19
2-9	68922-29FA0	LABEL, SCREEN (FINNISH)	1	E19
2-10	68922-29FB0	LABEL, SCREEN (NORWEGIAN)	1	E19
2-11	68922-29FC0	LABEL, SCREEN (DANISH)	1	E19
2-12	68922-14F40	LABEL, SCREEN (ITALIAN)	1	E19
2-13	68922-14F90	LABEL, SCREEN (SWEDISH)	1	E19
3	68332-06G00	LABEL, TIRE INFORMATION	1	
4-1	68623-17D00	LABEL, FUEL	1	E2
4-2	86932-73060	LABEL, FUEL	1	E24
5	68613-24F00	LABEL, STEERING	1	

FIG.51

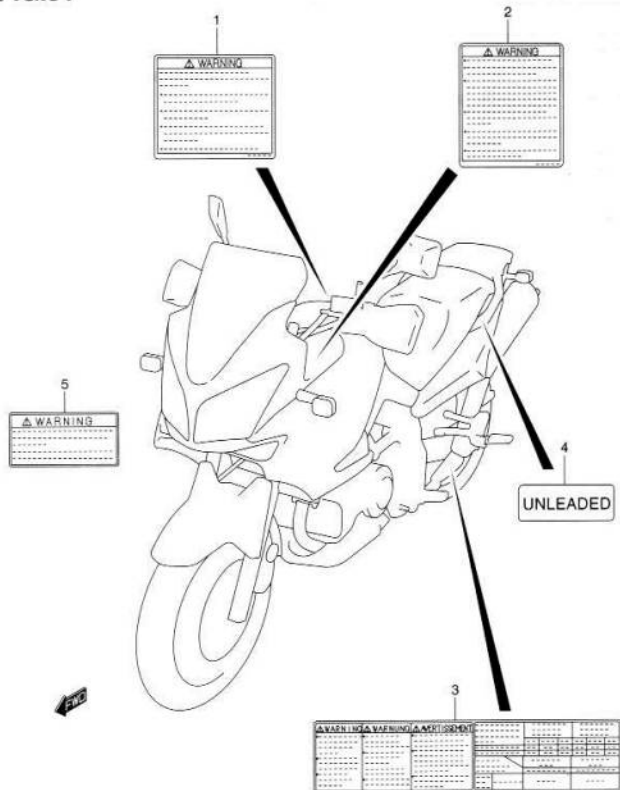


FIG.51 (I-16) LABEL

REF NO.	PART NO.	DESCRIPTION	QTY	REMARKS
6-1	99011-06G50-01A	MANUAL, OWNER'S	1	MODEL K2 E2, E19, E24
6-2	99011-06G51-01A	MANUAL, OWNER'S	1	MODEL K3 E19, E24
6-3	99011-06G52-01A	MANUAL, OWNER'S	1	MODEL K4 E2, E19, E24
6-4	99011-06G50-01F	MANUAL, OWNER'S	1	MODEL K2 E19
6-5	99011-06G51-01F	MANUAL, OWNER'S	1	MODEL K3 E19
6-6	99011-06G52-01F	MANUAL, OWNER'S	1	MODEL K4 E19
6-7	99011-06G50-01K	MANUAL, OWNER'S	1	MODEL K2 E19
6-8	99011-06G51-01K	MANUAL, OWNER'S	1	MODEL K3 E19
6-9	99011-06G52-01K	MANUAL, OWNER'S	1	MODEL K4 E19
6-10	99011-06G50-SDE	MANUAL, OWNER'S	1	MODEL K2 E19
6-11	99011-06G51-SDE	MANUAL, OWNER'S	1	MODEL K3 E19
6-12	99011-06G52-SDE	MANUAL, OWNER'S	1	MODEL K4 E19
6-13	99011-06G50-01W	MANUAL, OWNER'S	1	MODEL K2 E19
6-14	99011-06G51-01W	MANUAL, OWNER'S	1	MODEL K3 E19
6-15	99011-06G52-01W	MANUAL, OWNER'S	1	MODEL K4 E19
6-16	99011-06G50-057	MANUAL, OWNER'S	1	MODEL K2 P37 DRAWING NOT SHOWN

FIG.52

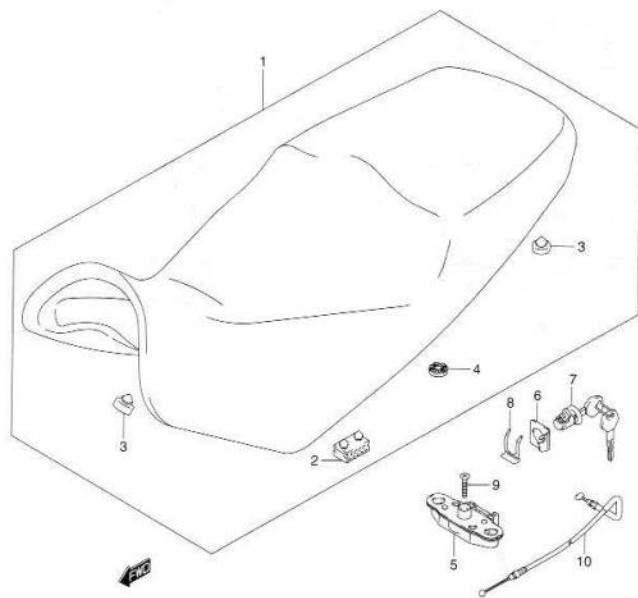


FIG.52 (J-2) SEAT

REF NO.	PART NO.	DESCRIPTION	QTY	REMARKS
1-1	45100-06G00-W69	SEAT ASSY	1	MODEL K2
1-2	45100-06G10-H1N	SEAT ASSY	1	MODEL K3/K4
2	09321-08006	CUSHION, SEAT	4	
3	09321-10012	CUSHION	3	
4	45213-13601	CUSHION	2	
5	45220-20A01	BRACKET, SEAT SUPPORT REAR	1	
6	45288-14F00	GUIDE, SEAT LOCK CABLE	1	
7	95700-14810	LOCK SET, SEAT	1	
8	45289-11F00	PLATE, SEAT LOCK ASSY	1	
9	02122-06303	SCREW	2	
10	45280-06G00	CABLE, SEAT LOCK	1	

4

FIG.53

FIG.53 (J-3) SEAT TAIL COVER (MODEL K2)

REF. NO.	PART NO.	DESCRIPTION	QTY	REMARKS
1-1	45501-06G00-YU8	COVER ASSY. SEAT TAIL RH (GRAY)	1	
1-2	45501-06G00-YU9	COVER ASSY. SEAT TAIL RH (YELLOW)	1	
1-3	45501-06G00-Y7H	COVER ASSY. SEAT TAIL RH (BLUE)	1	
2-1	68161-06G00-JL9	EMBLEM, SEAT TAIL COVER	1	FOR YU8
2-2	68161-06G00-JM1	EMBLEM, SEAT TAIL COVER	1	FOR YU9
2-3	68161-06G00-JL8	EMBLEM, SEAT TAIL COVER	1	FOR Y7H
3-1	45502-06G00-YU8	COVER ASSY. SEAT TAIL LH (GRAY)	1	
3-2	45502-06G00-YU9	COVER ASSY. SEAT TAIL LH (YELLOW)	1	
3-3	45502-06G00-Y7H	COVER ASSY. SEAT TAIL LH (BLUE)	1	
4-1	68161-06G00-JL9	EMBLEM, SEAT TAIL COVER	1	FOR YU8
4-2	68161-06G00-JM1	EMBLEM, SEAT TAIL COVER	1	FOR YU9
4-3	68161-06G00-JL8	EMBLEM, SEAT TAIL COVER	1	FOR Y7H
5	09136-06081	SCREW, FRONT	2	
6	09180-06300	SPACER, FRONT	2	
7	09320-12068	CUSHION, FRONT	2	
8	09320-08018	CUSHION, CENTER	2	
9	09320-15008	CUSHION, REAR	2	
10	09409-06314-5PK	CLIP (BLACK)	2	

REFER TO FIG.53A (J-4) FOR MODEL K3
 REFER TO FIG.53B (J-5) FOR MODEL K4

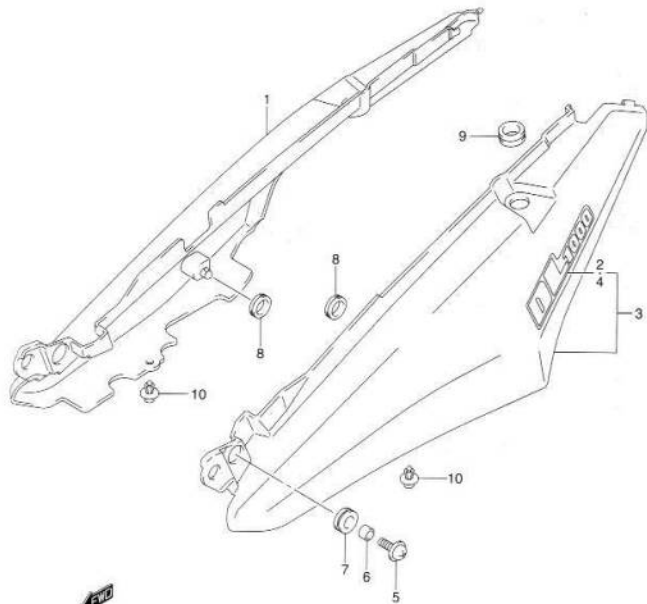
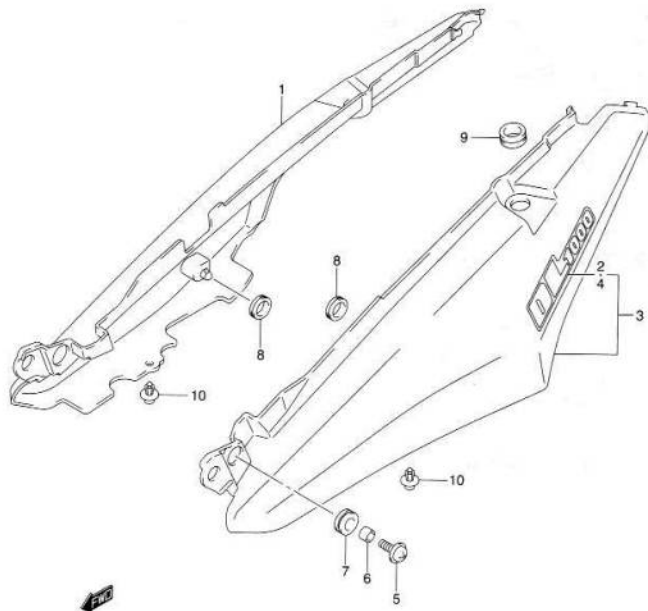


FIG.53A

FIG.53A (J-4) SEAT TAIL COVER (MODEL K3)

4



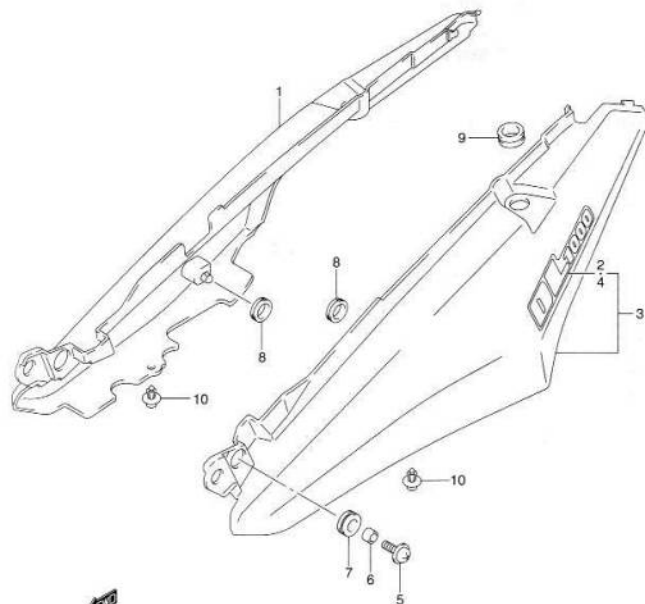
REF NO.	PART NO.	DESCRIPTION	QTY	REMARKS
1-1	45501-06G00-YD8	COVER ASSY, SEAT TAIL RH (SILVER)	1	
1-2	45501-06G00-ZJX	COVER ASSY, SEAT TAIL RH (YELLOW)	1	
1-3	45501-06G00-YBA	COVER ASSY, SEAT TAIL RH (BLUE)	1	
2-1	68161-06G00-LY4	EMBLEM, SEAT TAIL COVER	1	FOR YD8
2-2	68161-06G00-LY5	EMBLEM, SEAT TAIL COVER	1	FOR YU9
2-3	68161-06G00-LY6	EMBLEM, SEAT TAIL COVER	1	FOR YBA
3-1	45502-06G00-YD8	COVER ASSY, SEAT TAIL LH (SILVER)	1	
3-2	45502-06G00-ZJX	COVER ASSY, SEAT TAIL LH (YELLOW)	1	
3-3	45502-06G00-YBA	COVER ASSY, SEAT TAIL LH (BLUE)	1	
4-1	68161-06G00-LY4	EMBLEM, SEAT TAIL COVER	1	FOR YD8
4-2	68161-06G00-LY5	EMBLEM, SEAT TAIL COVER	1	FOR YU9
4-3	68161-06G00-LY6	EMBLEM, SEAT TAIL COVER	1	FOR YBA
5	09136-06081	SCREW, FRONT	2	
6	09180-06300	SPACER, FRONT	2	
7	09320-12068	CUSHION, FRONT	2	
8	09320-08018	CUSHION, CENTER	2	
9	09320-15008	CUSHION, REAR	2	
10	09409-06314-5PK	CLIP (BLACK)	2	

REFER TO FIG.53B (J-5) FOR MODEL K4

FIG.53B

FIG.53B (J-5) SEAT TAIL COVER (MODEL K4)

12.08



REF NO.	PART NO.	DESCRIPTION	QTY	REMARKS
1-1	45501-06G10-YD8	COVER ASSY, SEAT TAIL RH (SILVER)	1	
1-2	45501-06G10-YAY	COVER ASSY, SEAT TAIL RH (BLACK)	1	
1-3	45501-06G10-YBA	COVER ASSY, SEAT TAIL RH (BLUE)	1	
2-1	68161-06G10-AMT	EMBLEM, SEAT TAIL COVER	1	FOR YD8
2-2	68161-06G10-AMR	EMBLEM, SEAT TAIL COVER	1	FOR YAY
2-3	68161-06G10-AMW	EMBLEM, SEAT TAIL COVER	1	FOR YBA
3-1	45502-06G10-YD8	COVER ASSY, SEAT TAIL LH (SILVER)	1	
3-2	45502-06G10-YAY	COVER ASSY, SEAT TAIL LH (BLACK)	1	
3-3	45502-06G10-YBA	COVER ASSY, SEAT TAIL LH (BLUE)	1	
4-1	68161-06G10-AMT	EMBLEM, SEAT TAIL COVER	1	FOR YD8
4-2	68161-06G10-AMR	EMBLEM, SEAT TAIL COVER	1	FOR YAY
4-3	68161-06G10-AMW	EMBLEM, SEAT TAIL COVER	1	FOR YBA
5	09136-06081	SCREW, FRONT	2	
6	09180-06300	SPACER, FRONT	2	
7	09320-12068	CUSHION, FRONT	2	
8	09320-08018	CUSHION, CENTER	2	
9	09320-15008	CUSHION, REAR	2	
10	09409-06314-5PK	CLIP (BLACK)	2	

4

FIG.54

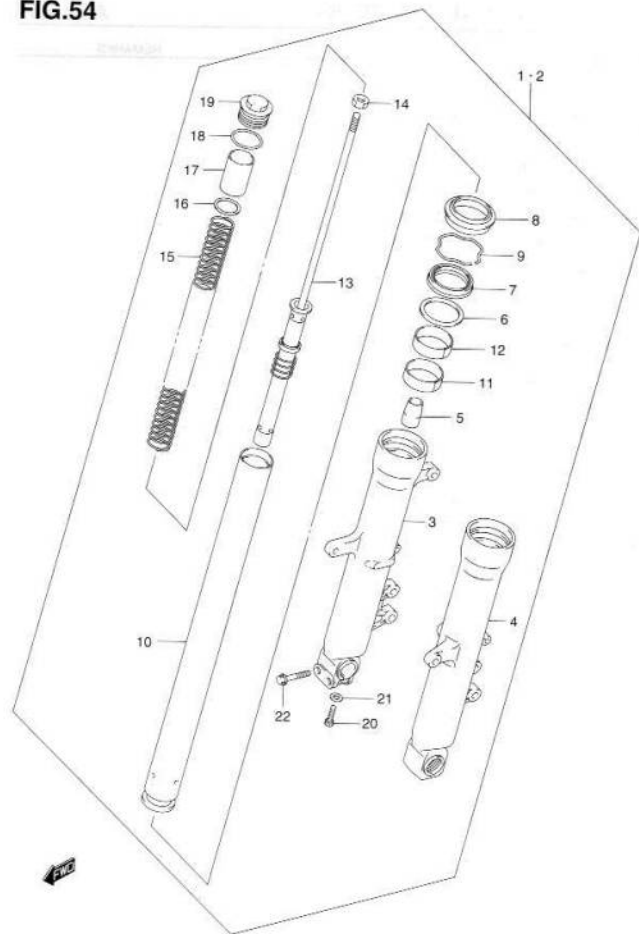


FIG.54 (J-6) FRONT DAMPER (MODEL K2)

REF. NO.	PART NO.	DESCRIPTION	QTY	REMARKS
1-1	51103-06G00	DAMPER ASSY. FRONT FORK RH	1	
1-2	51103-06G10	DAMPER ASSY. FRONT FORK LH	1	P37
2	51104-06G00	DAMPER ASSY. FRONT FORK LH	1	
3	51130-06G00	·TUBE, OUTER RH	1	
4	51140-06G00	·TUBE, OUTER LH	1	
5	51195-31E00	·PIECE, OIL LOCK	2	
6	51168-17C00	·SPACER, SEAL	2	
7	51153-14D00	·SEAL, OIL	2	
8	51173-29E00	·SEAL, DUST	2	
9	51556-38B00	·RING, OIL SEAL STOPPER	2	
10	51110-06G00	·TUBE, INNER	2	
11	51121-13E00	·BUSH, SLIDE	2	
12	51152-13E00	·BUSH, GUIDE	2	
13	52110-06G00	·ROD, FRONT DAMPER	2	
14	51827-27E00	·NUT	2	
15	51171-06G00	·SPRING, FRONT	2	
16	51186-17C00	·SEAT, SPRING	2	
17	51176-12C10	·COLLAR, SPRING	2	
18	51117-17C00	·O RING	2	
19	51351-14E30	·BOLT, FORK	2	
20	51147-48130	·BOLT	2	
21	51148-36011	·GASKET	2	
22	51166-06G00	·BOLT, RH	2	

REFER TO FIG.54A (J-7) FOR MODEL K3/K4

FIG.54A

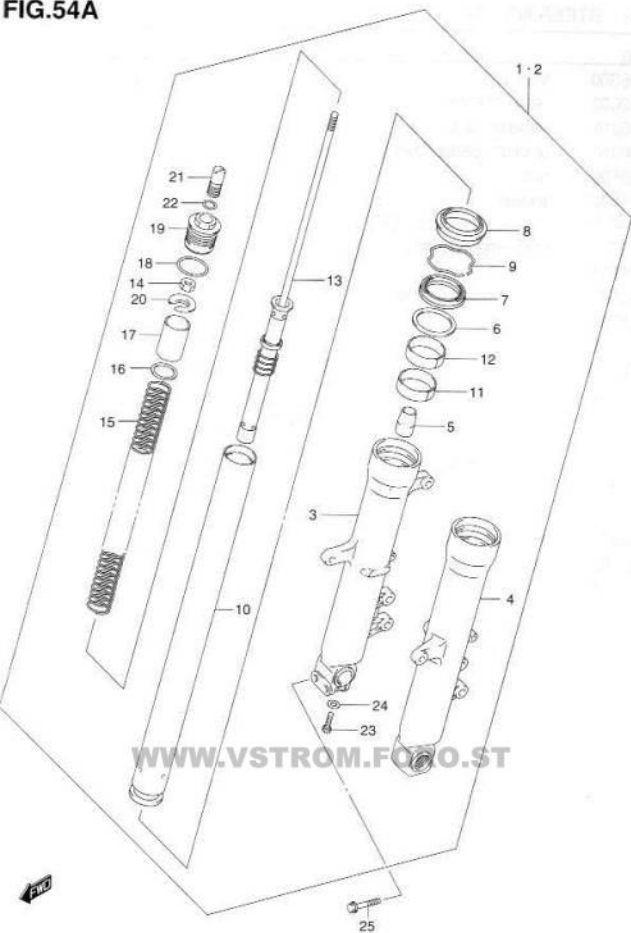


FIG.54A (J-7) FRONT DAMPER (MODEL K3/K4)

REF NO.	PART NO.	DESCRIPTION	Q'TY	REMARKS
1	51103-06G20	DAMPER ASSY, FRONT FORK RH	1	
2	51104-06G20	DAMPER ASSY, FRONT FORK LH	1	
3	51130-06G00	·TUBE, OUTER RH	1	
4	51140-06G00	·TUBE, OUTER LH	1	
5	51195-31E00	·PIECE, OIL LOCK	2	
6	51168-17C00	·SPACER, SEAL	2	
7	51153-14D00	·SEAL, OIL	2	
8	51173-29E00	·SEAL, DUST	2	
9	51556-38B00	·RING, OIL SEAL STOPPER	2	
10	51110-06G20	·TUBE, INNER	2	
11	51121-13E00	·BUSH, SLIDE	2	
12	51152-13E00	·BUSH, GUIDE	2	
13	52110-06G20	·ROD, FRONT DAMPER	2	
14	51827-27E00	·NUT	2	
15	51171-06G20	·SPRING, FRONT	2	
16	51186-17C00	·SEAT, SPRING	2	
17	51176-12C10	·COLLAR, SPRING	2	
18	51117-17C00	·O RING	2	
19	51189-14D00	·BOLT, FORK	2	
20	51172-17C00	·SEAT, SPRING UPPER	2	
21	51185-31E00	·ADJUSTER, SPRING	2	
22	09280-14011	·O RING	2	
23	51147-48130	·BOLT	2	
24	51148-36011	·GASKET	2	
25	51166-06G00	BOLT, RH	2	

FIG.55

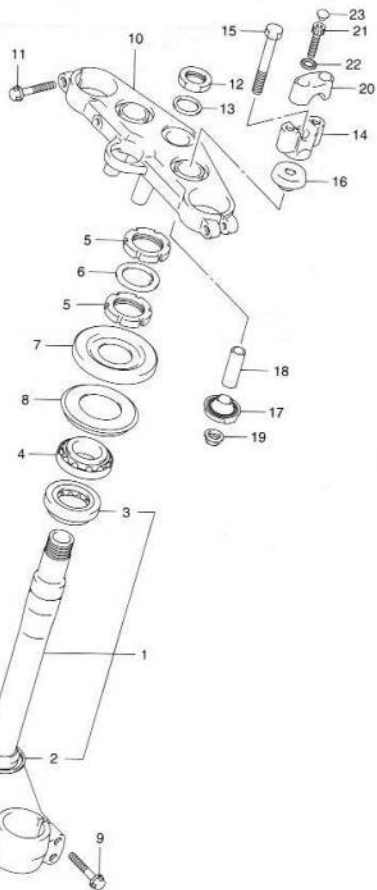


FIG.55 (J-8) STEERING STEM

REF NO.	PART NO.	DESCRIPTION	QTY	REMARKS
1	51410-06G00	STEM, STEERING	1	
2	51644-12C00	SEAL, STEERING LOWER	1	
3	09267-30010	BEARING (30X55X17)	1	
4	09267-30010	BEARING, UPPER (30X55X17)	1	
5	51631-33E00	NUT	2	
6	51641-33E00	WASHER	1	
7	51643-24F10	COVER, STEERING UPPER	1	
8	51644-12C00	SEAL, STEERING UPPER	1	
9	51166-35F00	BOLT	4	
10	51311-06G00	HEAD, STEERING STEM	1	
11	51166-35F00	BOLT	2	
12	51353-06G00	NUT	1	
13	51354-06G00	WASHER	1	
14	56221-27E00	HOLDER, HANDLE LOWER	2	
15	56321-27E00	BOLT	2	
16	56241-27E00	RUBBER, UPPER	2	
17	56260-42A00	RUBBER, LOWER	2	
18	56243-42A00	SPACER	2	
19	08319-31107	NUT	2	
20	56211-32F00	HOLDER, HANDLE UPPER	2	
21	51321-06G00	BOLT	4	
22	09164-08015	WASHER	4	
23	09250-06011	CAP	4	

4

FIG.56

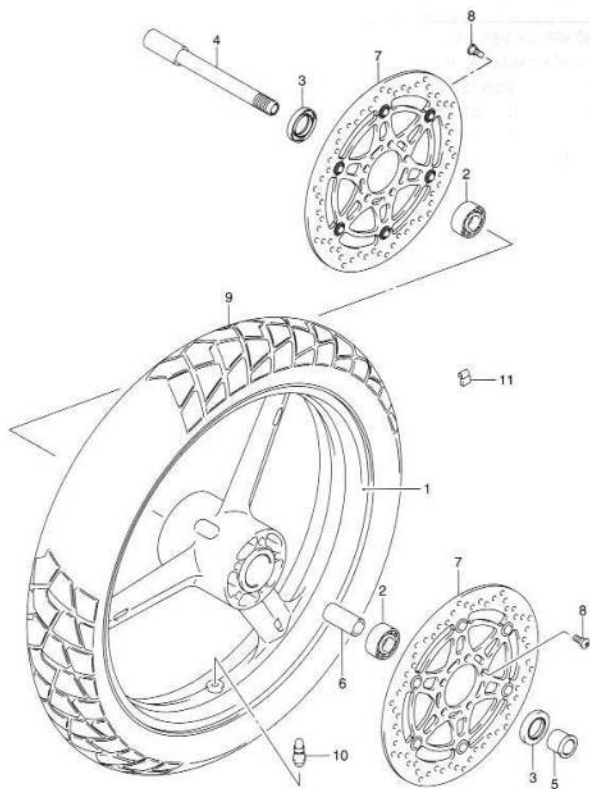


FIG.56 (J-9) FRONT WHEEL

REF NO.	PART NO.	DESCRIPTION	QTY	REMARKS
1	54111-06G00-019	WHEEL, FRONT (19M/CXMT2.50) (BLACK)	1	
2	08123-62047	BEARING	2	
3	09285-28001	SEAL, OIL	2	
4	54711-06G00	AXLE, FRONT	1	
5	54751-06G00	SPACER, FRONT AXLE	1	
6	09180-20062	SPACER, FRONT HUB BEARING	1	
7-1	59210-06G00	DISC, FRONT BRAKE	2	MODEL K2/K3
7-2	59210-27G00	DISC, FRONT BRAKE	2	MODEL K4
8	09106-08160	BOLT	10	
9	55110-06G00	TIRE, FRONT (110/80R19M/C 59H)	1	BRIDGESTONE
10	43130-24A00	VALVE ASSY, WHEEL RIM	1	
11-1	43232-82000	BALANCER, WHEEL NO.1	0~3	→43222-73H10
11-2	43234-82000	BALANCER, WHEEL NO.2	0~3	→43224-73H10
11-3	43236-82000	BALANCER, WHEEL NO.3	0~3	→43226-73H10

FIG.57

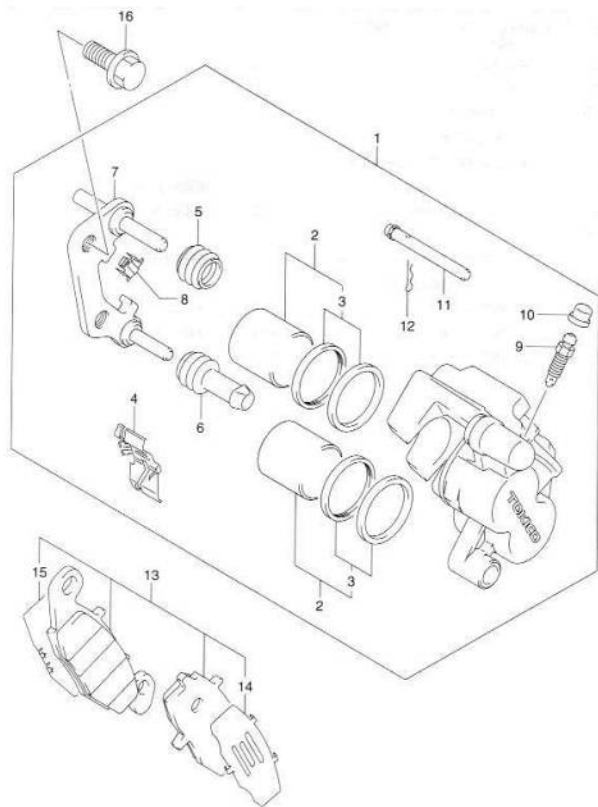


FIG.57 (J-10) FRONT CALIPER

REF NO.	PART NO.	DESCRIPTION	QTY	REMARKS
1-1	59100-33D90-999	CALIPER ASSY, FRONT RH	1	
1-2	59300-33D90-999	CALIPER ASSY, FRONT LH	1	
2	59300-33831	·PISTON SET	2	
3	59300-33841	·SEAL SET, PISTON	2	
4-1	59115-33D00	·SPRING RH	1	
4-2	59315-33D00	·SPRING LH	1	
5	59112-44B00	·BOOT	2	
6	59313-36500	·INSULATOR	2	
7-1	59150-33D01	·CARRIER, CALIPER, R	1	
7-2	59350-33D01	·CARRIER, CALIPER, L	1	
8	59116-33D00	·GUIDE	2	
9	59121-18410	·BLEEDER	2	
10	55156-66310	·CAP	2	
11	59141-44B01	·PIN	2	
12	69142-45000	·CLIP	2	
13-1	59102-33870	PAD & SHIM SET RH	1	
13-2	59302-33850	PAD & SHIM SET LH	1	
14	59171-33D00	·SHIM	1	
15	59172-33D00	·SHIM, NO.2	1	
16	01550-10253	BOLT	4	

4

FIG.58

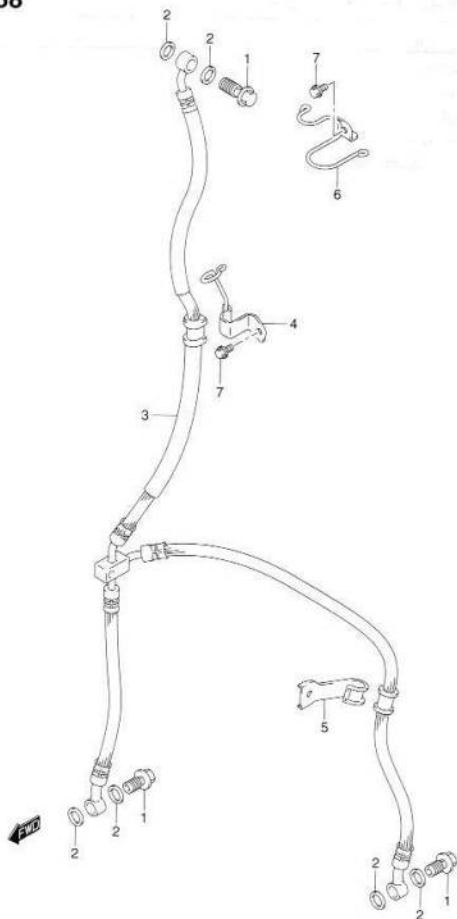


FIG.58 (J-11) FRONT BRAKE HOSE

REF NO.	PART NO.	DESCRIPTION	QTY	REMARKS
1	09360-10042	BOLT (10X1.25X22)	3	
2	09161-10009	WASHER (10X15X1.5)	6	
3	59480-06G00	HOSE, FRONT BLAKE	1	
4	59260-06G00	CLAMP, FRONT BRAKE HOSE	1	
5	59268-06G00	CLAMP, FRONT BRAKE HOSE	1	
6	59540-06G00	GUIDE, FRONT BRAKE HOSE	1	
7	01547-06123	BOLT, CLAMP	2	

FIG.59

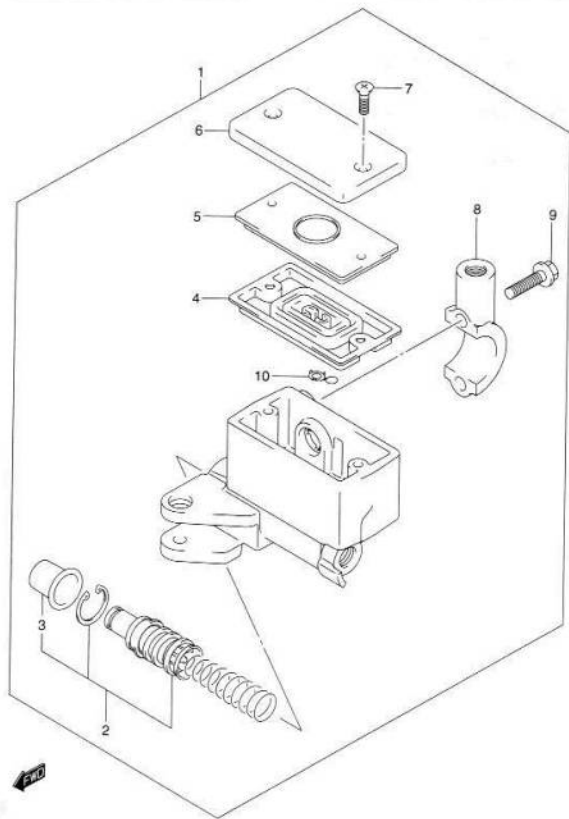


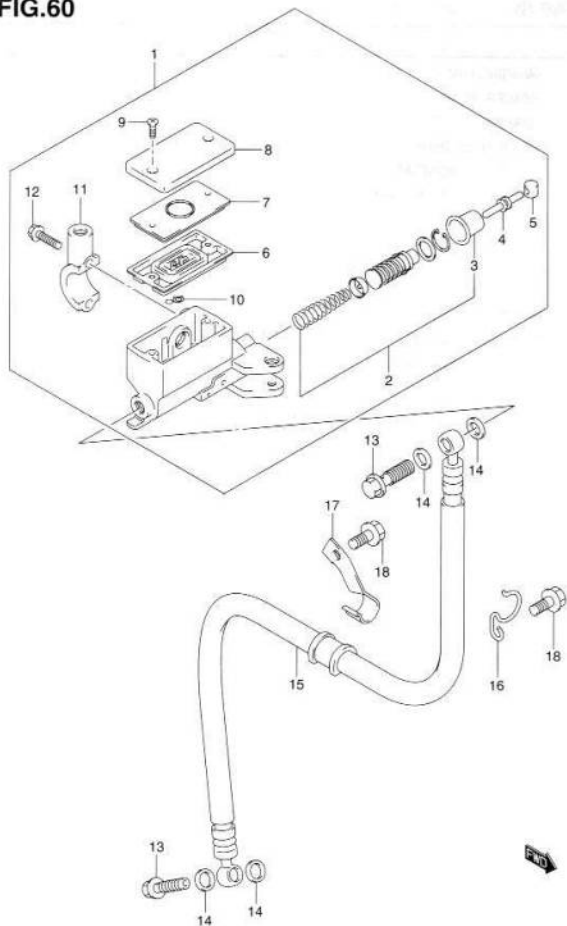
FIG.59 (J-12) FRONT MASTER CYLINDER

REF NO.	PART NO.	DESCRIPTION	QTY	REMARKS
1	59600-42F00	CYLINDER ASSY, FRONT MASTER	1	
2	59600-45860	·PISTON/CUP SET	1	
3	59666-44300	··BOOT	1	
4	59667-49460	·DIAPHRAGM	1	
5	59668-41C00	·PLATE, DIAPHRAGM	1	
6	59669-41C00	·CAP	1	
7	69689-49300	·SCREW	2	
8	59671-32F00	·HOLDER	1	
9	59675-02FA0	·BOLT (6X22)	2	
10	59664-32F00	·PROTECTOR	1	

4

FIG.60

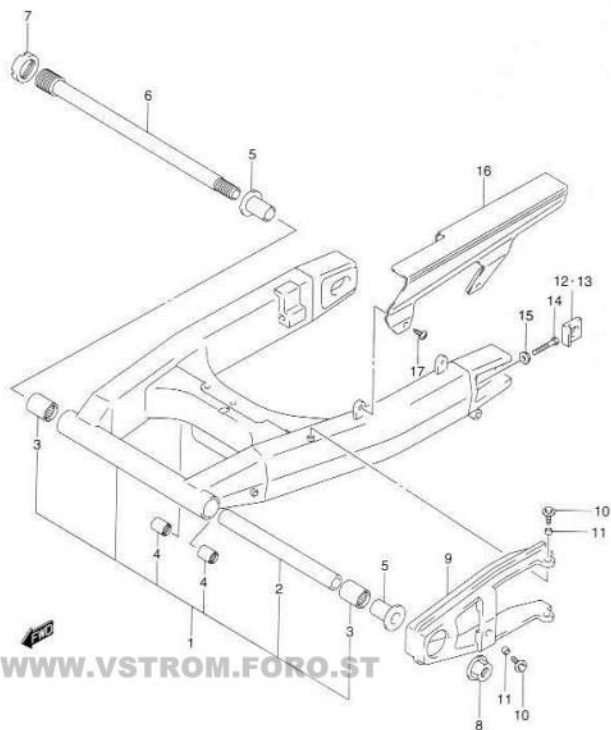
FIG.60 (J-13) CLUTCH MASTER CYLINDER



REF NO.	PART NO.	DESCRIPTION	QTY	REMARKS
1	59800-32F00	CYLINDER ASSY, CLUTCH MASTER	1	
2	59800-08810	·PISTON/CUP SET	1	
3	59666-44300	··BOOT	1	
4	59871-38A00	·PUSH ROD	1	
5	59892-08A00	·BUSH	1	
6	59667-49460	·DIAPHRAGM	1	
7	59668-41C00	·PLATE, DIAPHRAGM	1	
8	59669-41C00	·CAP	1	
9	69689-49300	·SCREW	2	
10	59664-32F00	·PROTECTOR	1	
11	59671-32F00	·HOLDER	1	
12	59675-02FA0	·BOLT (6X22)	2	
13	09360-10042	BOLT (10X1.25X22)	2	
14	09161-10009	WASHER, (10X15X1.5)	4	
15	59910-06G00	HOSE, CLUTCH	1	
16	59915-24F00	CLAMP, CLUTCH HOSE NO.1	1	
17	59921-06G00	CLAMP, CLUTCH HOSE NO.2	1	
18	01550-06123	BOLT	2	

4

FIG.61



WWW.VSTROM.FORO.IT

FIG.61 (K-2) REAR SWINGING ARM

REF NO.	PART NO.	DESCRIPTION	QTY	REMARKS
1	61000-06G00	SWINGING ARM ASSY, REAR	1	
2	09180-20118	SPACER, REAR SWINGING ARM	1	
3	09263-25059	BEARING, PIVOT	2	
4	09263-17037	BEARING, CUSHION ROD	2	
5	61251-31E00	SPACER, SWINGING ARM	2	
6	61211-06G00	SHAFT, RR SWINGING ARM PIVOT	1	
7	61214-19F00	NUT, PIVOT SHAFT	1	
8	08319-31188	NUT	1	
9	61273-06G00	BUFFER, CHAIN TOUCH DEFENSE	1	
10	09116-06152	BOLT (6X20)	3	
11	09180-06306	SPACER (6.5X9X5)	3	
12	61446-17E10	ADJUSTER, CHAIN LH	1	
13	61446-27C20	ADJUSTER, CHAIN RH	1	
14	09100-08287	BOLT (8X50)	2	
15	08316-10083	NUT	2	
16	61310-34E00	CASE, CHAIN	1	
17	09139-06083	SCREW	2	

4

FIG.63

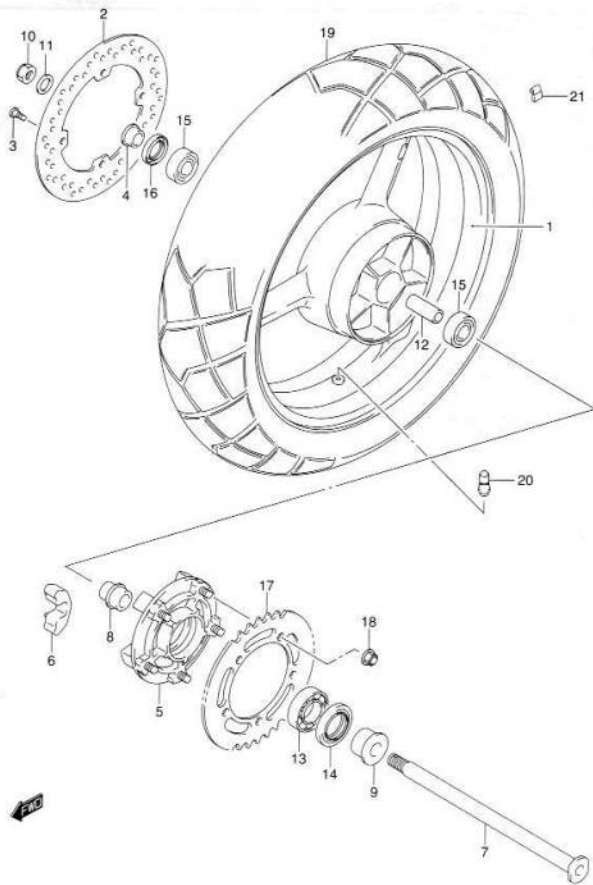


FIG.63 (K-4) REAR WHEEL

REF NO.	PART NO.	DESCRIPTION	QTY	REMARKS
1	64111-06G00-019	WHEEL, REAR (17M/CXMT4.00) (BLACK)	1	
2	69211-06G00	DISC, REAR BRAKE	1	
3	09106-08160	BOLT	4	
4	64741-10F00	SPACER, REAR AXLE RH	1	
5	64610-06G00	DRUM, REAR SPROCKET	1	
6-1	64651-35F00	ABSORBER, REAR HUB SHOCK	5	MODEL K2
6-2	64651-35F10	ABSORBER, REAR HUB SHOCK	5	MODEL K3/K4
7	64711-06G00	AXLE, REAR	1	
8	64733-06G00	RETAINER, REAR SPROCKET DRUM	1	
9	64751-06G00	SPACER, REAR AXLE LH	1	
10	09159-18007	NUT	1	
11	09160-19022	WASHER (19X32X3.2)	1	
12	09180-20112	SPACER, REAR HUB BEARING	1	
13	09262-32007	BEARING (32X65X17)	1	
14	09285-39001	SEAL, REAR SPROCKET DRUM OIL	1	
15	08123-62047	BEARING (20X47X14)	2	
16	09285-28001	SEAL, DUST	1	
17	64511-35F20	SPROCKET, REAR (NT.42-525)	1	
18	08319-31107	NUT	5	
19	65110-06G00	TIRE, REAR (150/70R17M/C 69H)	1	BRIDGESTONE
20	43130-24A00	VALVE ASSY, WHEEL RIM	1	
21-1	43232-82000	BALANCER, WHEEL NO.1	0~3	-43222-73H10
21-2	43234-82000	BALANCER, WHEEL NO.2	0~3	-43224-73H10
21-3	43236-82000	BALANCER, WHEEL NO.3	0~3	-43226-73H10

FIG.62

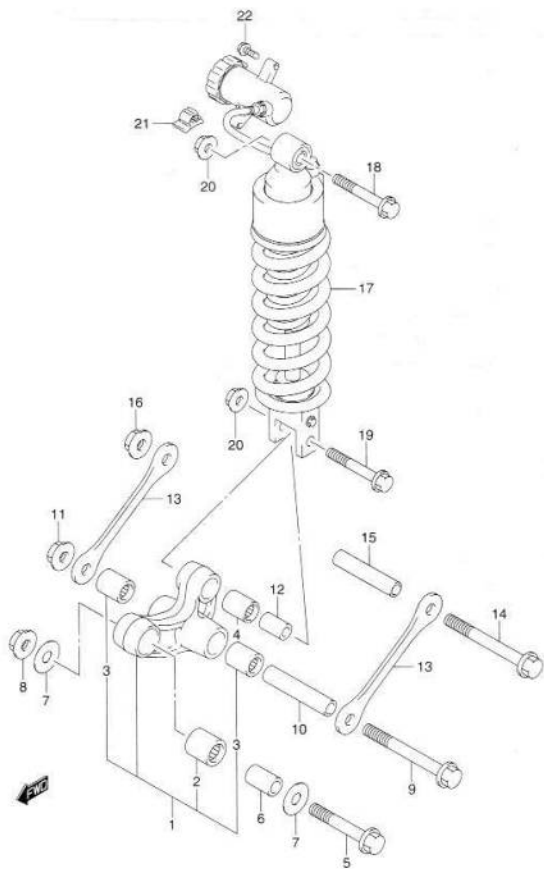


FIG.62 (K-3) REAR CUSHION LEVER

REF NO.	PART NO.	DESCRIPTION	QTY	REMARKS
1	62600-06860	LEVER SET, REAR CUSHION	1	
2	09263-20073	•BEARING, FRONT (20X27X30)	1	
3	09263-17037	•BEARING, CENTER (17X24X25)	2	
4	09263-17034	•BEARING, REAR (17X24X26)	1	
5	62658-19F00	BOLT, FRONT (12X78)	1	
6	62684-12C00	SPACER, FRONT (12X78)	1	
7	09160-12037	WASHER	2	
8	09159-12056	NUT	1	
9	62621-19D00	BOLT, CENTER (12X111)	1	
10	09180-12122	SPACER, CENTER (12X17X85)	1	
11	09159-12056	NUT	1	
12	62684-40A10	SPACER, REAR (10X17X30)	1	
13	62641-06G00	ROD, REAR CUSHION	2	
14	62621-19D00	BOLT, ROD (12X111)	1	
15	09180-12122	SPACER, ROD (12X17X85)	1	
16	09159-12056	NUT	1	
17	62100-06G10-13L	ABSORBER ASSY, REAR SHOCK (SILVER)	1	
18	09103-10033	BOLT, UPPER (10X70)	1	
19	09103-10143	BOLT, LOWER	1	
20	09159-10058	NUT	2	
21	09403-10313	CLAMP, ADJUSTER HOSE	2	
22	01550-06163	BOLT, TANK	2	

4

FIG.64

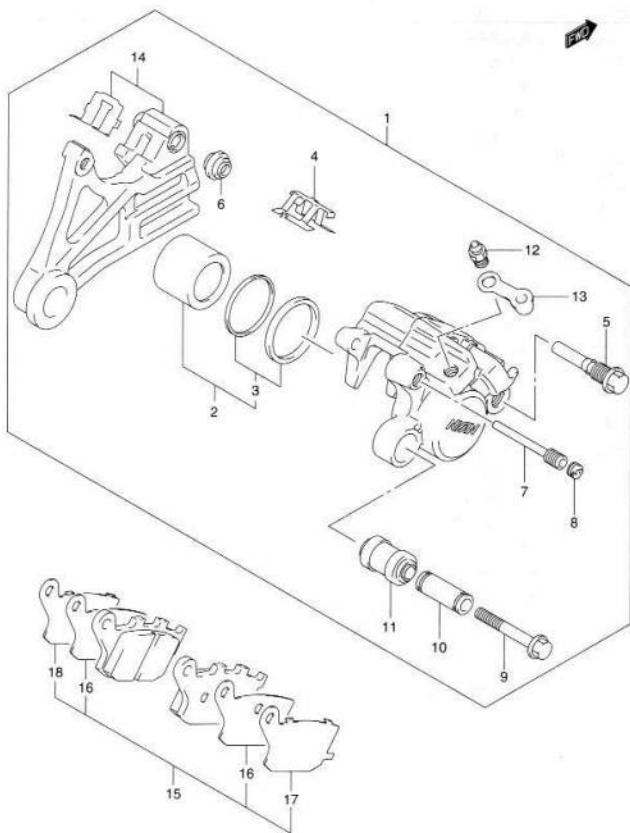


FIG.64 (K-5) REAR CALIPER

REF NO.	PART NO.	DESCRIPTION	QTY	REMARKS
1	69100-06G00-999	CALIPER ASSY, REAR	1	
2	69100-04810	*PISTON SET	1	
3	69100-04820	**SEAL SET, PISTON	1	
4	69115-06G00	*SPRING, PAD	1	
5	69105-04F00	*BOLT	1	
6	59303-14500	*BOOT	1	
7	69141-40F00	*PIN, HANGER	1	
8	59146-21E10	*PLUG	1	
9	69182-04F00	*BOLT	1	
10	69185-04F00	*SLEEVE	1	
11	69186-04F00	*BOOT	1	
12	59121-01A00	*BLEEDER	1	
13	59122-01A00	*CAP	1	
14	69150-06G00	*BRACKET	1	
15	69100-06830	PAD & RETAINER SET	1	
16	69132-06G00	*INSULATOR	2	
17	69133-06G00	*RETAINER	1	
18	69134-06G00	*RETAINER	1	

FIG.65

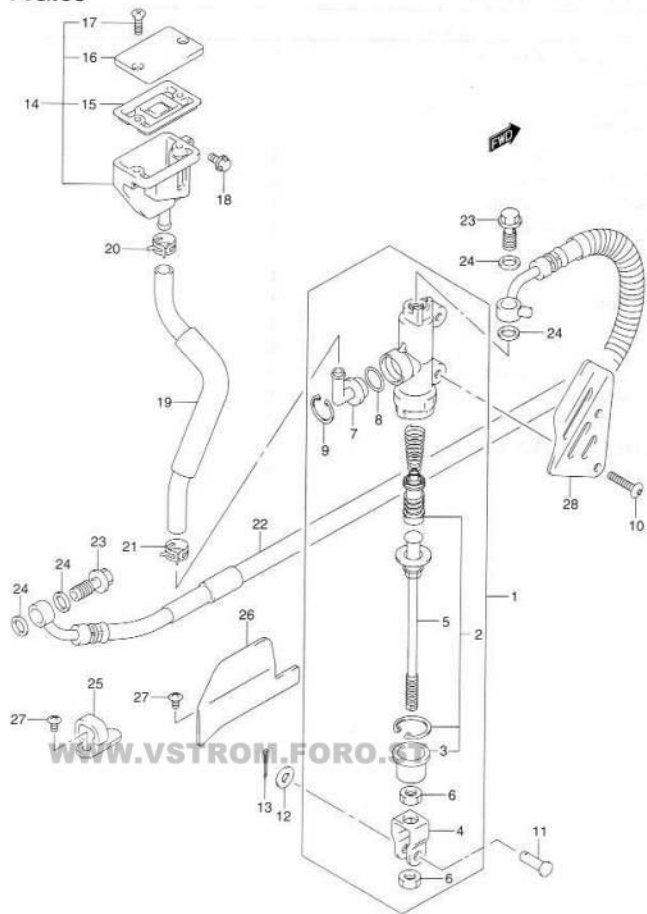


FIG.65 (K-6) REAR MASTER CYLINDER

REF NO.	PART NO.	DESCRIPTION	QTY	REMARKS
1	69600-06G00	CYLINDER ASSY, REAR MASTER	1	
2	69600-34820	·PISTON/CUP SET	1	
3	69691-00A00	·BOOT	1	
4	69692-19A00	·YOKE	1	
5	69670-03G00	·ROD, PUSH	1	
6	69693-05A00	·NUT	2	
7	69672-00B20	·CONNECTOR	1	
8	69686-34200	·O RING	1	
9	69674-00B20	·CIRCLIP	1	
10	09139-06029	BOLT (6X25)	2	
11	09200-06037	PIN	1	
12	08322-01063	WASHER	1	
13	04111-20158	COTTER PIN	1	
14	69740-01D02	TANK ASSY, REAR RESERVOIR	1	
15	59667-04700	·DIAPHRAGM	1	
16	59669-05D00	·CAP	1	
17	69689-04A00	·SCREW	2	
18	01547-06123	BOLT	1	
19	69730-06G00	HOSE, RESERVOIR TANK	1	
20	09401-13417	CLIP, UPPER	1	
21	09401-12404	CLIP, LOWER	1	
22	69480-06G00	HOSE, REAR BRAKE	1	
23	09360-10042	BOLT, CALIPER (10X1.25X22)	2	
24	09161-10009	WASHER (10X15X1.5)	4	
25	61196-27C30	GUIDE, BRAKE HOSE	1	
26	61196-06G00	GUIDE, REAR BRAKE HOSE FRONT	1	
27	02142-05103	SCREW	2	
28	69641-06G00	COVER, REAR MASTER CYLINDER	1	

4

FIG.66

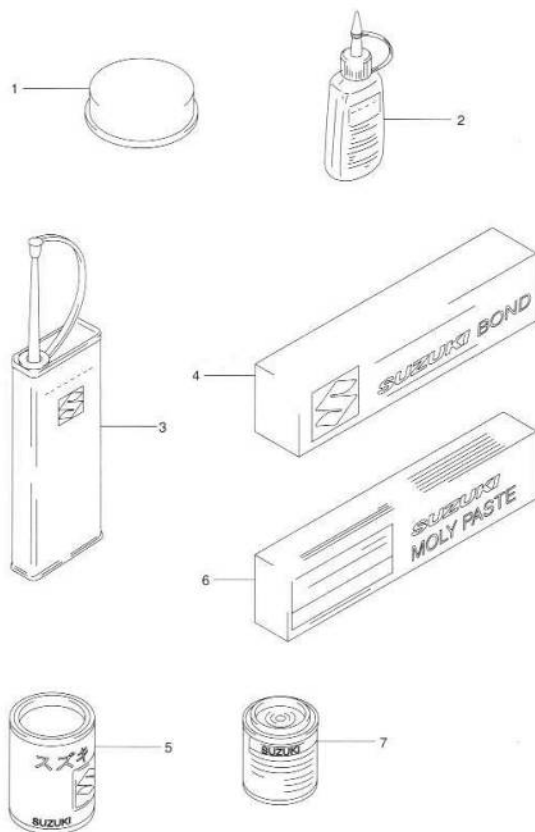


FIG.66 (K-7) OPTIONAL

REF NO.	PART NO.	DESCRIPTION	QTY	REMARKS
1	99000-25110	SUZUKI PBC GREASE	1	20G
2-1	99000-32020	THREAD LOCK SUPER (1333B)	1	50G
2-2	99000-32030	THREAD LOCK SUPER (1303B)	1	50G
2-3	99000-32050	THREAD LOCK SUPER (1342)	1	50G
2-4	99000-32100	THREAD LOCK SUPER (1305)	1	50G
2-5	99000-32130	THREAD LOCK SUPER (1360)	1	50G
3	99000-32040	THREAD LOCK CEMENT	1	200G
4-1	99000-31140	SUZUKI BOND (1207B) (BLACK)	1	100G
4-2	99000-31110	SUZUKI BOND (1215)	1	100G
5	99000-25030	SUZUKI SUPER GREASE	1	150G
6	99000-25140	SUZUKI MOLY PASTE	1	50G
7-1	99000-10209-YD8	PAINT (SONIC SILVER METALLIC)	1	90G
7-2	99000-10209-Y7H	PAINT (PEARL DARK SPACE BLUE)	1	90G
7-3	99000-10209-YU8	PAINT (GRAY METALLIC)	1	90G
7-4	99000-10209-YU9	PAINT (PEARL YELLOW)	1	90G
7-5	99000-10209-YAY	PAINT (PEARL NEBULAR BLACK)	1	90G

PART NO.	FIG.NO.-REF.NO.	PART NO.	FIG.NO.-REF.NO.	PART NO.	FIG.NO.-REF.NO.
18711-06G00	21-9	24311-06G00	23-12	25600-06G10	24-28
18711-06G10	21-9		23A-14	25617-03F00	24-31
		24312-02F00	23-13	25652-20C00	24-30
			23A-15	25671-01011	24-19
		24321-02F11	23-14	27510-20A20	23-38
20000		24322-02F01	23A-16	27531-24B13	23A-42
			23-15		23-39
		24331-02F12	23A-17	27600-06G00-112	23A-43
		24331-02B11	23A-18		23-40
			23-16		23A-44
21111-02F11	7-8	24332-17E20	23A-19	27620-06G00	23-41
21111-02F20	7-8		23A-21		23A-45
21112-02F00	7-9	24333-02F00	23-22		
21114-02F00	7-10		23-23		
21200-06B11	22-1		23A-26		
21410-06G00	22-4	24341-02F20	23A-27	30000	
21412-06G00	22-5	24341-02B11	23A-20		
21413-06G00	22-6	24351-02F13	23-17		
21413-06G10	22-6		23-18		
21414-29F00	22-7		23A-22		
21441-24F10	22-10	24361-06G00	23-19	31100-06G00	25-1
21441-24F20	22-8		23A-23	31132-45C00	25-2
21442-24F00	22-9	24741-06G00	23-32	31143-38300	25-3
21451-24F00	22-11		23A-36	31150-44B10	25-4
21451-24F10	22-12	24741-20A00	10-25	31156-48B00	25-11
21462-06G00	22-13	24741-21A00	23-33	31170-02F10	25-5
21471-06G00	22-14		23A-37	31170-43A00	25-6
21472-06G00	22-15		24-6	31172-38300	25-7
23110-27A00	22-20	24751-06G00	23-34	31173-88C00	25-8
23111-26D00	22-21		23A-38	31264-44110	25-9
23121-31E00	22-22	25211-17E01	24-1	31281-24B10	25-10
23160-06G01	22-23	25211-35F00	24-2	31497-45000	24-38
23163-06B00	22-24	25231-35F00	24-3	31800-06G00	27-1
23164-05A00	22-25	25310-02F10	24-7	31861-47E00	27-2
23166-02F20	22-25A	25312-12C00	24-9	31861-48B10	26-5
23171-06G00	22-32	25350-06G00	24-13		28-8
24120-06G00	23-1	25355-13E00	24-14	32101-06G00	26-1
	23A-1	25355-38F00	24-14	32101-06G10	26-1
24130-02F10	23-11	25381-13E00	24-10	32102-06G00	26-2
	23A-13	25381-13E10	24-10	32102-06G10	26-2
24221-02F01	23-2	25411-02F20	24-4	32371-13E00	26-3
	23A-2		24-5	32491-06G00	26-4
24231-02F13	23-3	25510-06G00	24-17	32800-06G00	27-5A
24231-02F20	23A-3	25510-06G10	24-17	32800-42F00	27-5
24251-02F11	23A-4	25512-06G00	24-18	32831-06G00	27-6
24251-02B11	23-4	25520-06G00	24-25	32831-06G10	27-6A
24252-02F10	23A-5	25525-43510	24-27	32920-06G00	27-20
24261-02B20	23-5	25526-47000	24-26	32920-06G10	27-20
24261-06G00	23A-6		24-29	32920-06G30	27-20
24262-02F00	23A-7	25600-06G00	24-28	32920-06G40	27-21

PART NO.	FIG.NO.-REF.NO.	PART NO.	FIG.NO.-REF.NO.	PART NO.	FIG.NO.-REF.NO.
32920-06G50	27-21	34981-35F00	29A-10	36610-06G00	33-1
33220-80G00	27-11	34990-47F00	29-16	36610-06G10	33A-1
33410-06G00	27-13		29A-11	36610-06G20	33A-1
33420-06G00	27-14	35100-06G20-999	30-1	36610-06G30	33A-1
33510-11D00	27-16	35100-06G30-999	30B-1	36610-06G40	33B-1
33510-17G00	27-16	35100-06G50-999	30A-1	36610-06G50	33B-1
33541-23E01	27-17	35125-77A00	30-2	36618-18G10	33B-5
33542-06G00	27-18		30A-2	36618-33E00	33-5
33542-06G10	27-19		30B-2		33A-5
33610-26D10	28-1	35601-06G00	31-1	36618-43410	28-6
33624-38400	28-11		31-8		28-9
33651-37000	28-2B	35601-06G30	31-1	36619-06G00	33-3
33652-05G00	28-2	35601-27G00	31A-1	36619-06G01	33B-3
33652-06G10	30-10	35602-06G00	31-2	36620-06G00	33-4
	30A-10		31-9		
33652-16G00	28-2	35602-06G30	31-2		33A-4
33652-28G10	28-2A	35602-27G00	31A-2	36620-06G10	33-4
33810-06G00	28-4	35603-06G10	31A-10		33A-4
33810-06G10	28-7	35604-06G10	31A-11	36620-27G10	33B-4
		35612-06G00	31-3	36620-27G30	33B-4
33820-06G00	28-10		31-10	36852-06G00	33-7
33860-06G00	28-12	35612-31F30	31A-3		33A-7
33960-06G00	27-22		31A-13		33B-7
33960-06G10	27-22	35623-06G00	31-4	36859-06G00	33-6
34111-06G00	29-7		31-11		33A-6
34111-27G00	29A-6	35632-31F30	31A-4		33B-6
34120-06G00	29-1		31A-12	37000-06860	33-13
34120-06G10	29-1	35710-06G00	32-1		33A-13
34120-06G30	29-1	35710-06G50	32A-1		33B-13
34120-06G40	29-1	35718-06G00	32-2		33B-13
34120-06G50	29A-1	35718-06G50	32A-3		33-13
34120-06G60	29A-1	35720-06G00	32-1A	37000-06880	33A-13
34123-06G00	29-2		32A-2		33B-13
34124-06G00	29-4	35726-06G00	32-3	37100-06G00	33-14
34124-24F00	29A-5		32A-4		33A-14
34149-31F10	29-9	35734-06G00	32-4		33B-14
34150-06G00	29-5		32A-5		33B-14
34150-27G00	29A-4	35739-06G00	32-5	37100-06G10	33-14
34165-06G00	29-6		32A-6		33A-14
34183-06G00	29-3	35766-08F00	32-14		33B-14
34183-31F10	29A-3	35766-27G30	32A-15	37146-33E00	33-24
34188-06G00	29-6	35910-06G00	32-10		33A-24
34189-32B00	29-12	35910-06G01	32A-11		33B-24
34193-06G50	29A-2	35912-08F00	32-11	37200-06G10	34-1
34383-31F10	29-11		32A-12	37200-06G30	34-3
34810-06G00	16-2	35913-08F00	32-12		34A-1
34810-06G10	16A-16		32A-13	37400-06G10	34-5
34955-10G00	29A-8	35950-14A00	30B-9		34A-3
34955-13E00	29-13	36118-06G50	30-3		34A-3
34981-35F00	29-15		30A-3	37400-06G40	34-5

5

PART NO.	FIG.NO.-REF.NO.	PART NO.	FIG.NO.-REF.NO.	PART NO.	FIG.NO.-REF.NO.
59669-41C00	59-6 60-8	64751-06G00	63-9	68681-06G00-YD8	49A-3
		65110-06G00	63-19	68681-06G00-Y7H	49A-3
59671-32F00	59-8 60-11	68111-18G00-ABF	49B-4	68681-06G00-1ZY	49-3
		68111-18G00-ACV	49B-4	68681-06G00-17U	49A-3
59675-02FA0	59-9	68111-18G00-ASL	49B-4		
59800-08810	60-12	68161-06G00-JL8	53-2	68681-27G00-AML	49B-3
59800-32F00	60-2		53-4	68681-27G00-AMV	49B-3
59871-38A00	60-1	68161-06G00-JL9	53-2	68681-27G00-HT8	49B-3
59892-08A00	60-4 60-5	68161-06G00-JM1	53-2	68922-14F40	51-2
				68922-14F90	51-2
59910-06G00	60-15		53-4	68922-29FA0	51-2
59915-24F00	60-16	68161-06G00-LY4	53A-2	68922-29FB0	51-2
59921-06G00	60-17		53A-4	68922-29FC0	51-2
		68161-06G00-LY5	53A-2	68922-29F00	51-2
			53A-4	68922-29F20	51-2
		68161-06G00-LY6	53A-2	68922-29F30	51-2
			53A-4	68922-29F40	51-2
60000		68161-06G10-AMR	53B-2	68922-29F50	51-2
			53B-4	68922-29F70	51-2
		68161-06G10-AMT	53B-2	68922-29F80	51-2
61000-06G00	61-1		53B-4	68922-29F90	51-2
61196-06G00	65-26	68161-06G10-AMW	53B-2	69100-04810	64-2
61196-27C30	65-25		53B-4	69100-04820	64-3
61211-06G00	61-6	68166-31300-YU8	49A-4	69100-06G00-999	64-1
61214-19F00	61-7	68166-31300-Y7H	49A-4	69100-06830	64-15
61251-31E00	61-5	68166-31300-1ZY	49-4	69105-04F00	64-5
61273-06G00	61-9		49A-4	69115-06G00	64-4
61310-34E00	61-16	68166-31300-17U	49-4	69132-06G00	64-16
61446-17E10	61-12	68241-04X50-300	40-18	69133-06G00	64-17
61446-27C20	61-13	68270-27G00-CT5	47A-3	69134-06G00	64-18
62100-06G10-13L	62-17	68281-06G00-YCG	47-10	69141-40F00	64-7
62500-06860	62-1	68281-06G00	47-10	69142-45000	57-12
62621-19D00	62-9	68319-29F00	51-1	69150-06G00	64-14
	62-14	68319-29F80	51-1	69182-04F00	64-9
62641-06G00	62-13	68319-29FC0	51-1	69185-04F00	64-10
62658-19F00	62-5	68319-29F00	51-1	69186-04F00	64-11
62684-12C00	62-6	68319-29F20	51-1	69211-06G00	63-2
62684-40A10	62-12	68319-29F30	51-1	69480-06G00	65-22
63111-06G00	46-1	68319-29F40	51-1	69600-06G00	65-1
63112-06G00-YZ5	46-5	68319-29F50	51-1	69600-34820	65-2
63112-06G00-291	46-5	68319-29F70	51-1	69641-06G00	65-28
63421-19F00	46-11	68319-29F80	51-1	69670-03G00	65-5
64111-06G00-019	63-1	68319-29F90	51-1	69672-00B20	65-7
64511-35F20	63-17	68319-30F40	51-1	69674-00B20	65-9
64610-06G00	63-5	68319-30F90	51-1	69686-34200	65-8
64651-35F00	63-6	68332-06G00	51-3	69689-04A00	65-17
64651-35F10	63-6	68391-06G00	38-4	69689-49300	59-7
64711-06G00	63-7	68613-24F00	51-5		60-9
64733-06G00	63-8	68623-17D00	51-4	69691-00A00	65-3
64741-10F00	63-4	68681-06G00-YD8	49-3	69692-19A00	65-4

PART NO.	FIG.NO.-REF.NO.	PART NO.	FIG.NO.-REF.NO.	PART NO.	FIG.NO.-REF.NO.	PART NO.	FIG.NO.-REF.NO.
69693-05A00	65-6	94471-06G00-YZ5	49-7	69693-05A00	65-6	99011-06G51-01W	51-6
69730-06G00	65-19		49A-7	69730-06G00	65-19	99011-06G52-SDE	51-6
69740-01D02	65-14	94484-24F00	50-9	69740-01D02	65-14	99011-06G52-01A	51-6
		94510-06G00	48-1			99011-06G52-01F	51-6
		94510-27G00	48A-1			99011-06G52-01K	51-6
80000		94520-06G00	50-1			99011-06G52-01W	51-6
		94530-06G00	50-4				
		94540-06G00	50-5				
		94600-27G00	48A-4				
		94610-06G00	47-2				
86932-73060	51-4	94610-27G00	47A-2				
		94619-36A00	47-5			00000	
			47A-6				
		94630-06G00-HW5	47-7				
		94630-06G00-LP7	47-7				
		94630-27G00-291	47A-14			01421-06203	4-7
90000		94632-06G00-YAG	47-8			01500-06123	11-23
		94632-06G00-YCG	47-8			01500-06203	24-34
		94641-27G00-291	47A-11			01547-06103	33B-12
		94642-27G00-291	47A-12			01547-06123	46-6
94402-06G00-YBA	49A-1	95700-14810	52-7				58-7
94402-06G00-YU8	49-1	95700-42810	46-14				65-18
94402-06G00-Y7H	49-1	95740-06G00	46-16			01547-06203	27-15
94402-06G10-YD8	49A-1	99000-10209-YAY	66-7			01547-06253	6-26
94402-06G10-YU9	49-1	99000-10209-YD8	66-7			01547-06303	5-4
94402-06G10-ZJX	49A-1	99000-10209-YU8	66-7				42-5
94402-06G20-YAY	49B-1	99000-10209-YU9	66-7			01547-06353	6-27
94402-06G20-YBA	49B-1	99000-10209-Y7H	66-7			01547-06453	42-4
94402-06G30-YD8	49B-1	99000-25030	66-5			01547-06703	5-5
94402-06G00-YBA	49A-2	99000-25110	66-1			01547-06853	5-6
94403-06G00-YU8	49-2	99000-25140	66-6			01550-06103	6-9
94403-06G00-Y7H	49-2	99000-31110	66-4				33-12
94403-06G10-YD8	49A-2	99000-31140	66-4			01550-06123	33A-12
94403-06G10-YU9	49-2	99000-32020	66-2				40-8
94403-06G10-ZJX	49A-2	99000-32030	66-2				60-18
94403-06G20-YAY	49B-2	99000-32040	66-3			01550-06163	20-22
94403-06G20-YBA	49B-2	99000-32050	66-2				33-19
94410-06G00-Y7L	47-1	99000-32100	66-2				33A-19
94410-06G00-33J	47-1	99000-32130	66-2				33B-19
		99000-69471	9-15				62-22
94410-27G00-YAY	47A-1	99011-06G50-SDE	51-6			01550-06203	40-7
94440-06G00-YZ5	49-5	99011-06G50-01A	51-6			01550-06953	40-10
		99011-06G50-01F	51-6			01550-08123	5-19
94440-06G00-291	49B-5	99011-06G50-01K	51-6				33-21
94450-06G00-YZ5	49-6	99011-06G50-01W	51-6				33A-21
		99011-06G50-057	51-6			01550-08163	39-6
94450-06G00-291	49B-6	99011-06G51-SDE	51-6			01550-08353	39-10
94461-06G00-YZ5	47-6	99011-06G51-01A	51-6			01550-10253	57-16
94461-06G00-291	47A-7	99011-06G51-01F	51-6			01550-10303	35-3
94471-06GA0-291	49B-7	99011-06G51-01K	51-6				

5

5

PART NO.	FIG.NO.-REF.NO.	PART NO.	FIG.NO.-REF.NO.	PART NO.	FIG.NO.-REF.NO.
01550-10657	2-27	04211-09149	6-28	08316-10083	3-8
01550-10857	2-28		18-10		33-22
02112-04107	11-21	04211-13189	2-6		33A-22
02112-05223	34-4		3-6		33B-22
	34A-2		4-5		61-15
02112-05305	34-6	04221-04089	24-8	08316-10123	31-7
	34A-4	04221-08149	22-28		31-13
02112-05403	34-7	06111-07004	37-25		31A-9
	34A-5	07120-05103	29-17		31A-17
02112-05455	34-2		29A-12	08316-20063	32-15
02112-06123	6-8	07120-05163	24-42		32A-16
	23-36	07120-06123	2-13	08319-21068	45-5
	23A-40		3-14	08319-31063	40-12
02112-06253	15-2		10-5	08319-31103	5-29
02112-34163	12-2		16-19	08319-31107	55-19
02122-05123	37-18		16A-18		63-18
02122-05163	37-19	07120-08903	5-7	08319-31188	61-8
02122-06163	2-19	07130-05103	24-41	08322-01053	47-4
	3-19		26-6		47A-5
02122-06203	46-15	07130-05123	14-13	08322-01063	65-12
02122-06303	52-9		14-19	08322-01083	5-9
02142-05103	17-7	07130-05253	44-3	08331-31106	15-6
	50-8	07130-06123	20-10	08331-31126	24-36
	65-27		23-37	08331-31146	24-24
02142-05163	37-9		23A-41	08331-31186	36-12
02142-05203	37-10	07130-06163	27-12	08331-31406	7-11
	47A-8	07130-06203	10-15	08331-31506	15-13
02142-06107	45-3	07130-06253	10-14	08332-11063	37-13
02142-06123	36-14	07130-06353	26-7		37-28
	40-4	07130-06653	22-29	08332-11086	18-7
02162-06123	43-13	07130-06703	22-30	08361-35068	25-13
	43A-14	07130-08253	29-18		25-15
02162-06163	46-12		29A-13	09100-08287	61-14
02162-06203	27-9	08113-63030	10-23	09100-12084	36-7
	27-10	08113-69050	24-12	09103-06026	2-3
03142-05163	13-8	08123-62047	56-2		3-3
03242-04163	31A-5		63-15	09103-06103	2-15
	31A-14	08211-06141	24-16		3-11
03242-05103	48-8	08211-10221	8-8	09103-06126	6-25
	50-7	08310-00063	30-9	09103-06212	25-14
03242-05163	32-9		30A-9	09103-06213	6-5
	32A-10		30B-7		18-8
03541-05163	48A-11	08310-00067	24-35	09103-06214	6-14
03541-05203	13-13		25-12		6-21
	29A-9	08316-10063	2-12	09103-06217	21-3
03542-06123	21-12		3-13	09103-06225	6-15
04111-20158	65-13		4-8	09103-06239	18-9
04211-09149	6-4		44-6	09103-06257	6-9
	6-13		44-12	09103-08341	38-3
	6-22	08316-10083	2-8	09103-08358	14-23

PART NO.	FIG.NO.-REF.NO.	PART NO.	FIG.NO.-REF.NO.	PART NO.	FIG.NO.-REF.NO.
09103-08391	38-3	09127-06021	43-3	09160-05501	32-6
09103-08392	14-9	09127-06023	43A-3		32A-7
09103-08505	48-2	09128-06013	27-4	09160-06088	30-8
	48A-2	09132-03008	29-10		30A-8
	62-18		29A-7		30B-6
09103-10033					
09103-10143	62-19	09132-05041	48-4	09160-06109	46-7
09103-10205	5-26	09132-05053	47A-13	09160-06130	43-6
09103-10226	5-27	09136-06081	53-5		43A-7
09103-10276	2-10		53A-5		45-4
	3-10		53B-5	09160-08134	14-28
09103-10347	5-27	09139-05064	48-6		
09103-12069	5-28		48A-8	09160-08146	14-25
09103-12073	5-28	09139-05075	47-3	09160-10039	5-31
09106-05017	39-3		47A-4	09160-10082	3-9
09106-06075	5-16	09139-06029	65-10		3-9
				09160-12011	24-33
09106-06076	14-16	09139-06083	61-17		
	14-22	09139-06087	50-10	09160-12037	62-7
09106-07009	2-24	09139-06107	41-4	09160-12061	36-8
	3-24	09139-06120	48A-6	09160-12092	31-6
	14-4	09139-06121	42-2		31A-8
09106-08104				09160-15045	22-31
09106-08106	8-5	09139-06122	48-11		
09106-08121	35-6		48A-13	09160-18022	36-10
09106-08136	5-8		50-12	09160-19022	63-11
09106-08142	5-3	09139-06126	48A-5	09160-25009	23-43
09106-08147	14-27	09139-08016	33-15		23A-47
				09160-25056	22-17
09106-08149	35-12		33A-15	09160-25074	22-2
09106-08150	37-3		33B-15	09160-27008	23-20
	37-22	09140-06025	24-32		23A-24
09106-08160	56-8	09140-16001	10-21	09161-05017	47A-9
	63-3	09140-16005	10-21	09161-10009	58-2
09108-06096	2-11	09140-22012	7-13		60-14
	3-12	09148-05038	48-7		65-24
09108-06118	4-6		48A-9	09161-11008	2-25
09108-08143	2-7		50-6		3-25
	3-7	09159-05019	47A-10	09164-08015	55-22
09111-06041	24-15	09159-05044	29-14	09164-08020	48-3
09111-06085	20-13	09159-06024	43-8		48A-3
09111-10058	36-2	09159-06086	30-7	09164-22007	7-14
09116-06098	46-4		30A-7	09164-24006	22-18
09116-06152	61-10		30B-5	09167-27002	23-21
09116-06167	17-2	09159-10058	5-29		23A-25
09116-06191	20-13		62-20	09168-06004	6-10
09118-06097	19-5		62-20	09168-06023	2-14
09118-08152	14-5	09159-12054	62-8		3-15
09119-05023	30B-10	09159-12056	62-11	09168-08015	5-20
					5-20
09125-06086	5-16		62-10	09168-08016	5-20
09125-06110	24-11	09159-18007	63-16	09168-12017	13-18
09126-06011	10-26	09159-20004	23-42		20-26
	23-35		23A-46	09168-12018	10-7
	23A-39	09159-24010	22-16	09168-14002	1-17

PART NO.	FIG.NO.-REF.NO.	PART NO.	FIG.NO.-REF.NO.	PART NO.	FIG.NO.-REF.NO.
09168-14002	1-17 5-24 6-19 1-18 17-10	09208-08016 09209-05011 09229-04020 09247-14036 09248-14011	37-11 24-39 46-3 5-23 6-18	09283-14006 09283-38020	24-21 23-28 23A-32
09168-14011	1-18 17-10	09248-16012 09250-06011 09259-36016-20H 09261-04009 09261-06002	5-21 55-23 6-16 15-5 15-12	09285-39001 09289-05015 09320-06016 09320-08001	63-14 9-10 48-12 48A-14 40-9
09168-14015	1-18 17-10	09262-10016 09262-20082	18-6 23-26	09320-08018	41-5 53-8
09168-16002	5-22	09262-20139	23A-30	09320-08028	53A-8 53B-8 41-6
09168-26001	10-18	09262-25006 09262-25073	10-24 23-8	09320-09009 09320-09010	48-5 48A-7 17-3 30-6 30A-6
09169-06062	40-8	09262-28040	23-27 23A-31	09320-09016	30B-4 50-3 50-11
09169-06071	46-13	09263-32007 09263-15003 09263-17034 09263-17037	63-13 22-33 62-4 61-4 62-3	09320-09036 09320-10015	27-8 17-3
09180-06258	27-7	09263-20073	62-2	09320-10042 09320-10049	19-3 32-7 32A-8
09180-06290	19-4	09263-35013	22-3	09320-10051 09320-12043	19-3 14-30
09180-06300	53-6 53A-6	09267-30010	55-3 55-4	09320-12048 09320-12049 09320-12054 09320-12068	14-7 14-24 40-17 53-7 53A-7
09180-06306	53B-6	09280-04004	5-12 5-14 5-17 5-15 15-8	09320-15008	53B-7 53-9 53A-9 53B-9 52-2
09180-08151	61-11	09280-12009 09280-13004	5-12 5-14 5-17 5-15 15-8	09321-08006	41-3 52-3 18-11 20-16 58-1
09180-08152	14-6	09280-14011 09280-17003 09280-17004	54A-22 6-30 23-9 23A-11 20-9	09321-10002 09321-10012 09352-42703-600 09352-50901-00B 09360-10042	41-3 52-3 18-11 20-16 58-1
09180-12122	62-10	09280-18009	20-9	09360-12012 09360-14012 09380-27001	60-13 65-23 17-11 17-12 23-10
09180-12140	62-15 8-3 56-6 63-12 61-2	09280-24010 09280-33004 09280-55005	23-44 13A-48 1-19 6-17 1-20		
09180-20062	56-6				
09180-20112	63-12				
09180-20118	61-2				
09181-10158	15-4				
09181-14167	24-20				
09181-15164	10-28				
09181-15166	10-28				
09181-15172	10-28				
09181-15176	10-28				
09181-15181	10-28				
09181-15182	10-28				
09181-16212	10-22				
09181-20251	23-24				
09181-22167	23A-28 23-6 23A-8				
09181-22223	23-25 23A-29				
09181-25223	22-19				
09200-06037	65-11				
09202-04017	31A-7				
09206-08001	31A-16 2-2				
09206-08007	3-2 2-26 3-26				
09206-12002	8-2				
09208-08010	37-23				

PART NO.	FIG.NO.-REF.NO.	PART NO.	FIG.NO.-REF.NO.	PART NO.	FIG.NO.-REF.NO.
09380-27001	23-29 23-30 23-31 23A-12 23A-33	09409-06314-5PK 09409-07333	53-10 53A-10 53B-10 48-9 48A-10	09493-20014 09800-21035 09813-00027	5-11 5-13 46-9 46-8
09381-22002	23A-34 23A-35 7-19 20-15 65-21	09420-04008 09420-06001 09421-04004 09440-04010 09440-05005	26-5 7-15 10-19 24-40 37-24		
09401-12409	20-24 65-20 13-11 21-6 13-23	09440-07001 09440-17009 09443-14058 09443-19011 09444-20001	7-12 24-22 36-4 36-5 24-23		
09401-13417	20-4 20-5 13-7A 2-20	09448-18022 09448-41005 09462-00007 09471-12045	37-12 36-11 28-3 31A-6 31A-15		
09401-14301	11-8 16A-20 21-13	09471-12081 09471-12083	32-13 32-8 32A-9 31-5 31-12		
09401-15101	33B-8 18-12 33A-8 33B-8 16-18	09471-12177 09471-12182	30-4 30A-4 30B-3 30-5 30A-5		
09401-15101	33-8 33A-8 39-12 34-8 34A-6	09471-12216 09481-10501	32A-14 33-2 33A-2 33B-2 33-2		
09401-15101	33-11 33A-11 33B-11 33-9 33A-9	09481-15501 09481-30101 09482-00410	33A-2 33B-2 27-3 2-16 3-16		
09401-15101	33B-9 33-10 33A-10 33A-10 33B-10	09482-00411 09482-00412 09482-00413	2-16 3-16 2-16 3-16 2-16		
09409-06314-5PK	40-2 48-10 48-13 48A-12 48A-15	09482-00462 09482-00463	3-16 2-16 3-16 2-16 3-16		

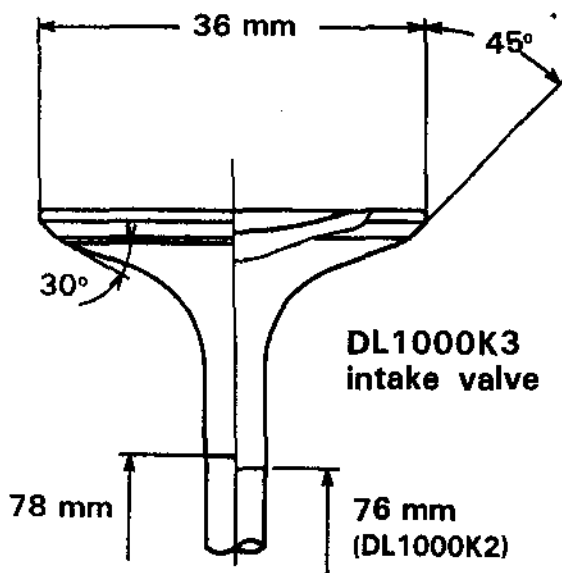
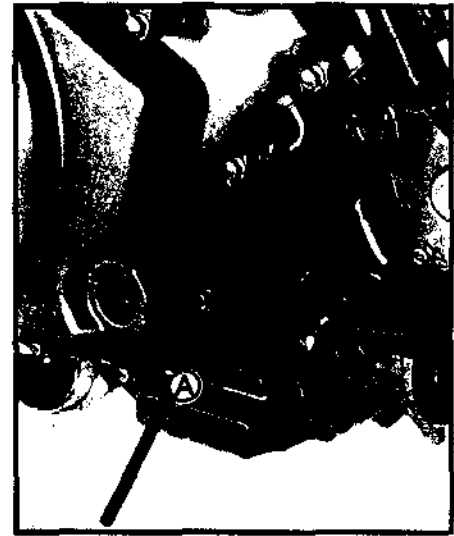
5

DL1000K3 V-Strom**1.00 ENGINE & 2.00 CHASSIS****1.01 Clutch cover**

- * Drain hose (A) for the coolant pump mechanical seal has been added to the clutch cover (like SV1000)
- * Drain hose eliminates accumulation of assembly grease residue on the cover which could look like a coolant or oil leak

Service notes:

As noted above, do not confuse the normal accumulation of assembly grease, coolant or oil residue near the coolant pump mechanical seal drain hole or hose as a failure-caused leak. Follow the testing procedure in the service manual to determine if a leak exists before servicing the mechanical seal.

**1.02 Intake valves**

- * The intake valves have been changed to improve flow
- * These valves are the same parts as used in the SV1000K3
- * Valve head diameter: 36 mm
- * The machined (5.5 mm diameter) portion of the valve stem has been extended 2 mm (76 mm to 78 mm) plus an additional 30° machine cut has been added to the valve head
- * All other valve specifications and service procedures remain the same as DL1000K2

2.01 Front suspension

- * Spring preload adjuster have been added to the top of each inner fork tube
- * Change permits the customer to adjust the spring tension to suit riding style and load
- * Parts cannot be easily interchanged to a DL1000K2 (see image on the following page)

	<u>DL1000K3</u>	<u>DL1000K2</u>
Front fork stroke:	160 mm (6.3 in)	160 mm (6.3 in)
Front spring length:	433.6 mm (17.07 in)	451.1 mm (17.75 in)
Preload adjuster setting:	3rd groove from the top	N/A
Fork fluid type:	SS08 or equivalent	SS08 or equivalent
Fork fluid level:	140 mm (5.51 in)	133.0 mm (5.24 in)
Fork fluid capacity:	496 ml (16.76 qt)	505 ml (17.07 qt)

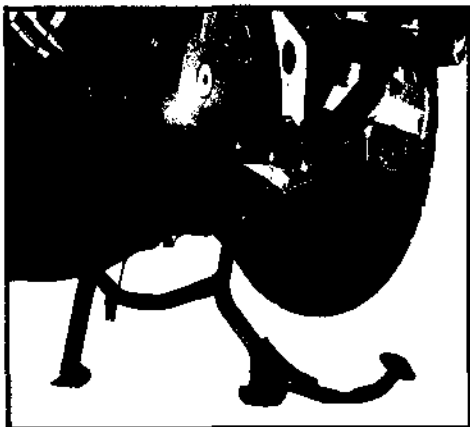
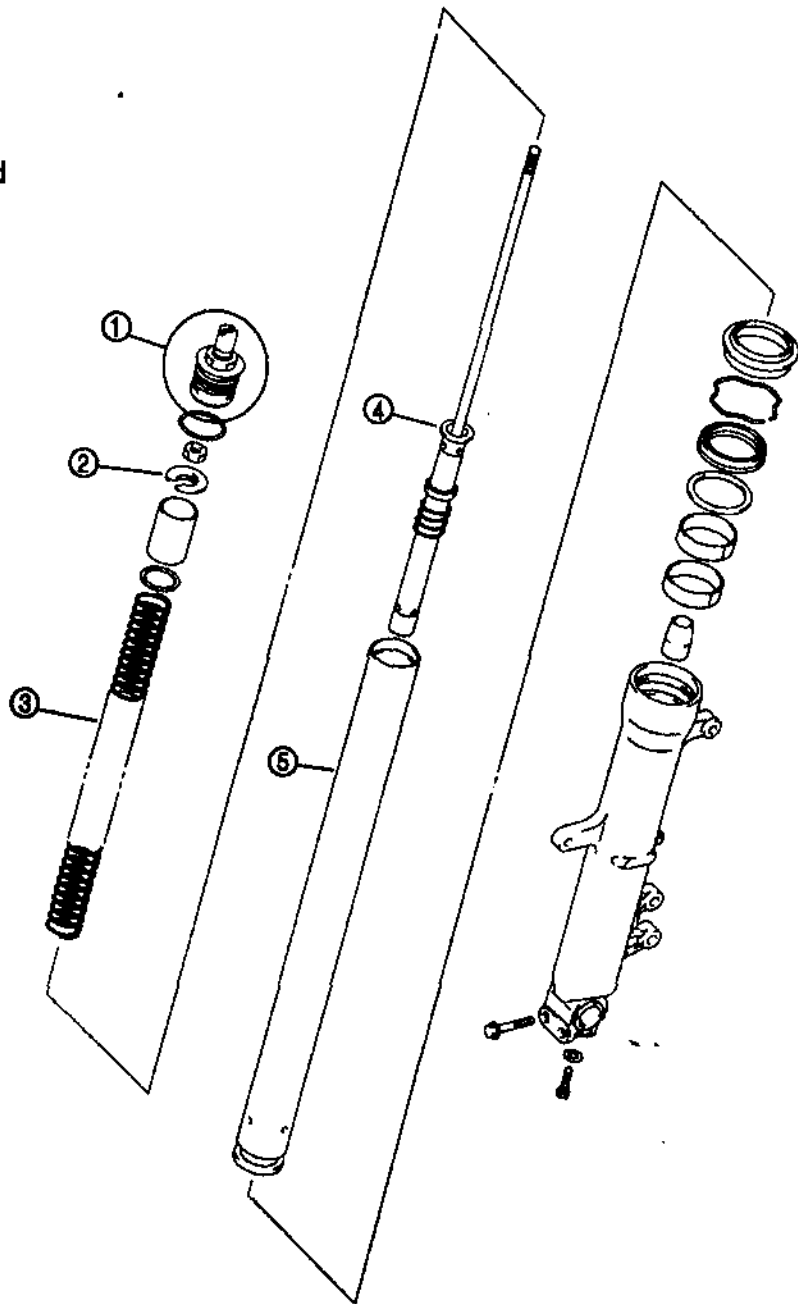
DL1000K3 V-Strom 2.00 CHASSIS

SPORT STREET

2.01 Front suspension, *continued*:

The parts called out and listed are NEW to the DL1000K3:

- ① Preload adjuster
51185-31E00 (adjuster)
09280-14011 (O-ring)
51189-14D00 (cap)
- ② Spring seat
51172-17C00
- ③ Spring
51171-06G00
- ④ Damper rod (cartridge)
52110-06G20
- ⑤ Inner fork tube
51110-06G20



2.02 Optional center stand

* An optional Suzuki Accessory center stand can be fitted to the motorcycle to ease service

Center stand: 42100-06840